



**—HINDALCO—**  
***EXTRUSIONS***

***RENUKOOT***

**WHERE IDEAS TAKE SHAPE**



## Consumer Products



Click on the desired sub-segment to go directly to the page

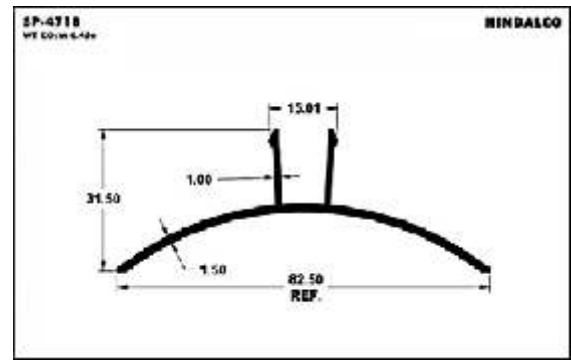
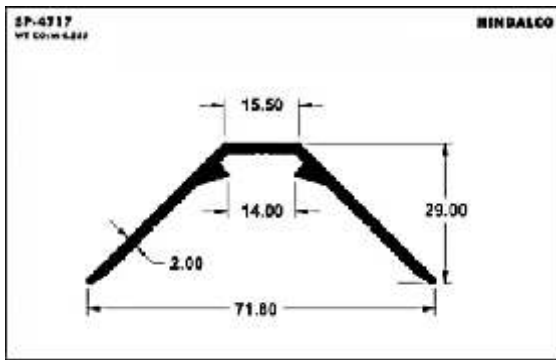
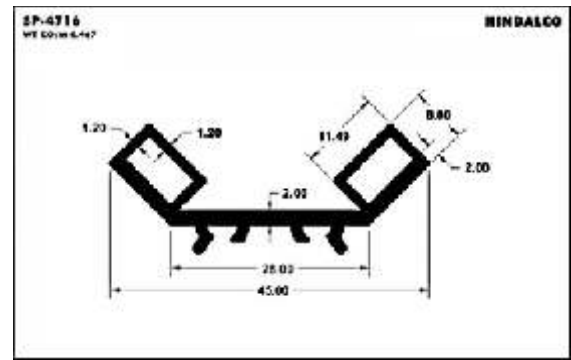
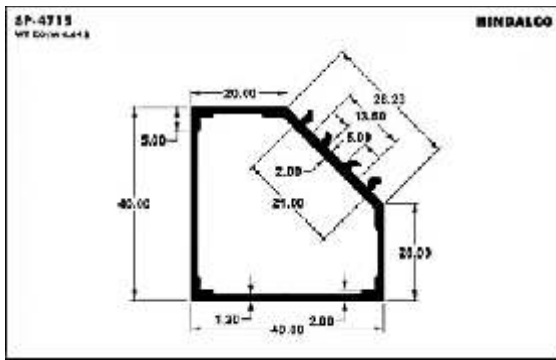
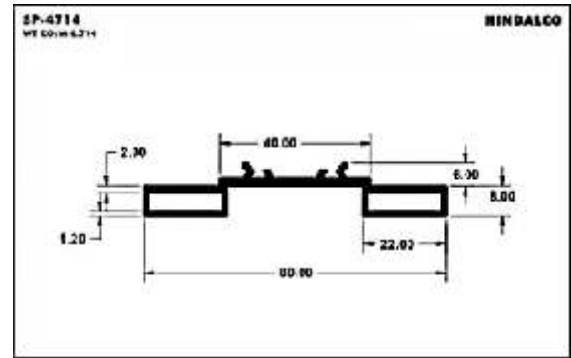
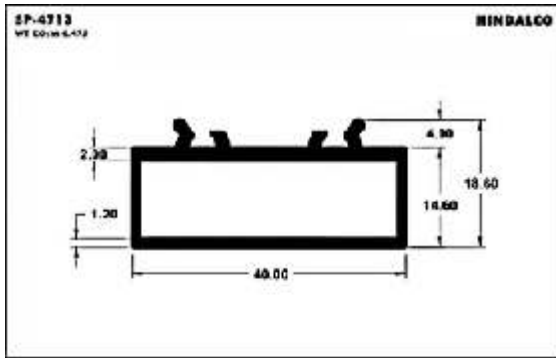
**Consumer products**

catalogue pg. nos 243 to 273 and pdf pg. nos 1 to 32

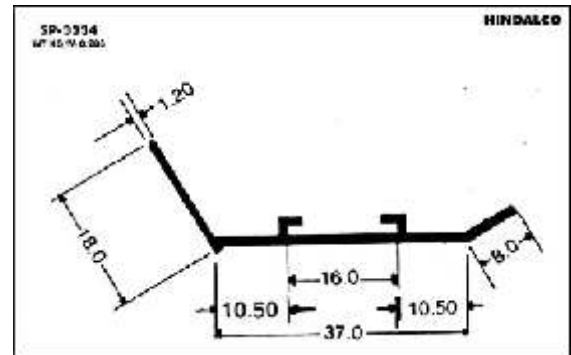
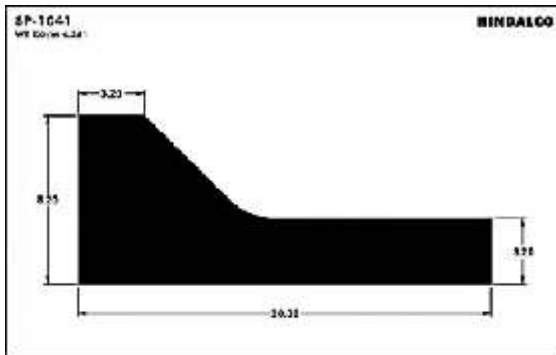
**A. C.**

Filter	-----	4
Grills	-----	4
Panels	-----	9
<b>Cooler handles &amp; parts</b>	-----	10
<b>Water filter</b>	-----	11
<b>Furniture</b>	-----	12
<b>Moulded luggage</b>	-----	15
<b>Photo frames</b>	-----	20
<b>Hanger</b>	-----	24
<b>Letter plates</b>	-----	25
<b>Poultry channel</b>	-----	27
<b>Solar channel</b>	-----	29
<b>Watch case</b>	-----	31
<b>Tray</b>	-----	32

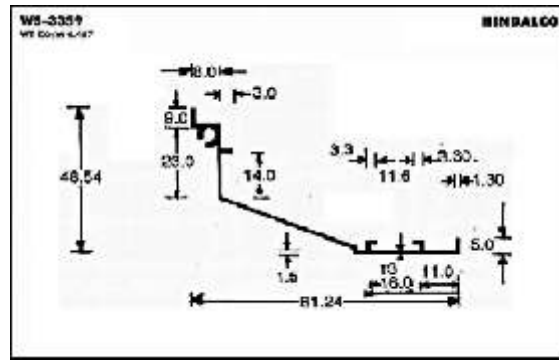
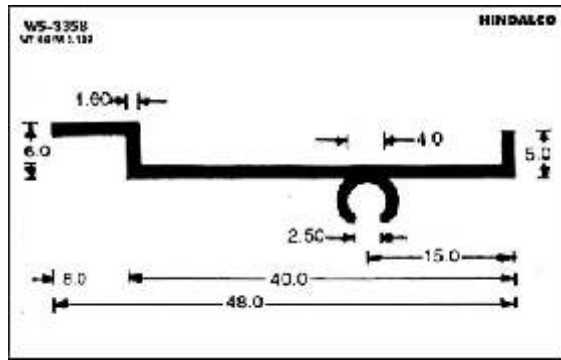
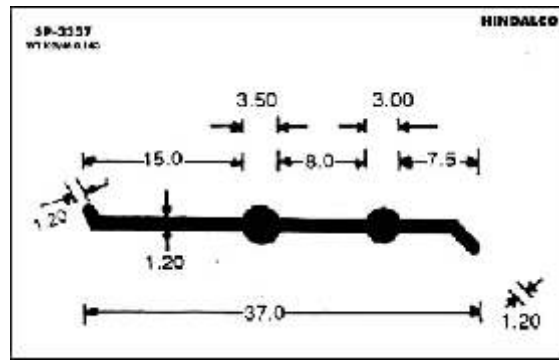
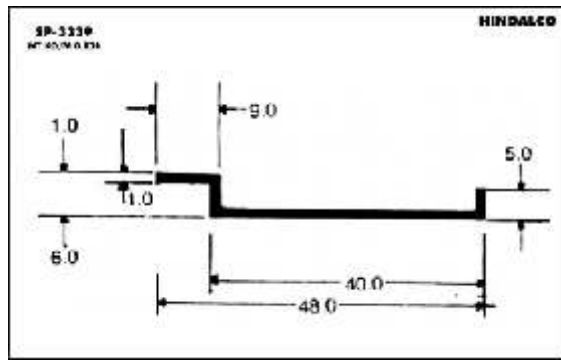
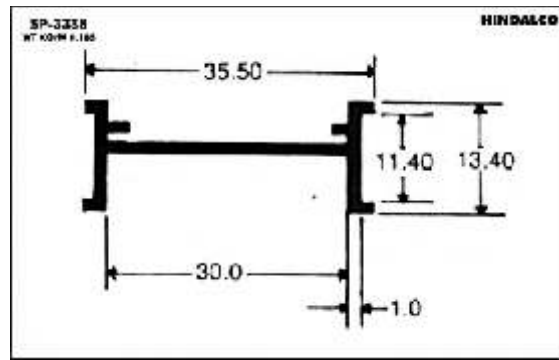
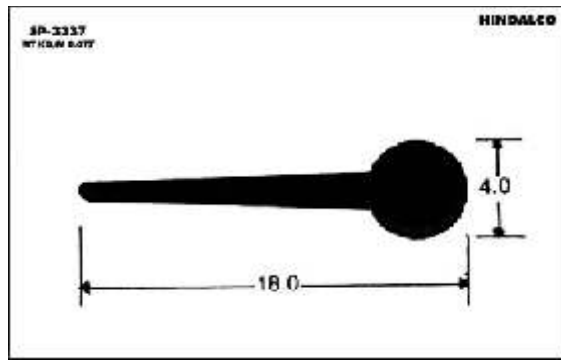
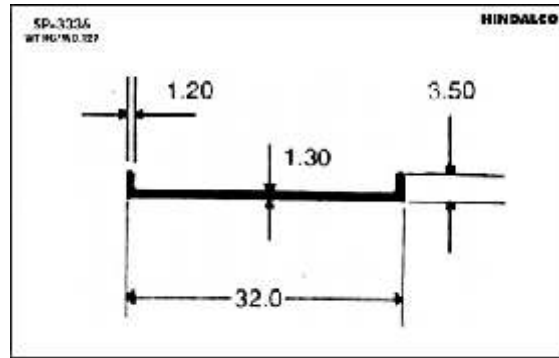
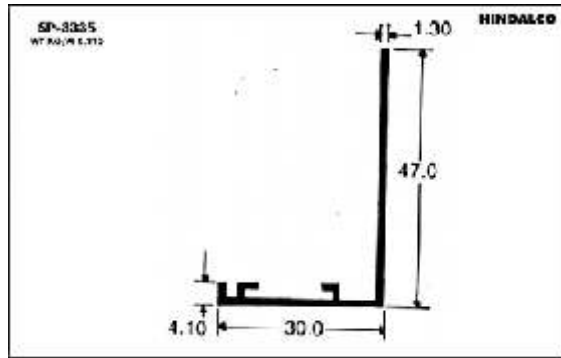
A.C. Filter



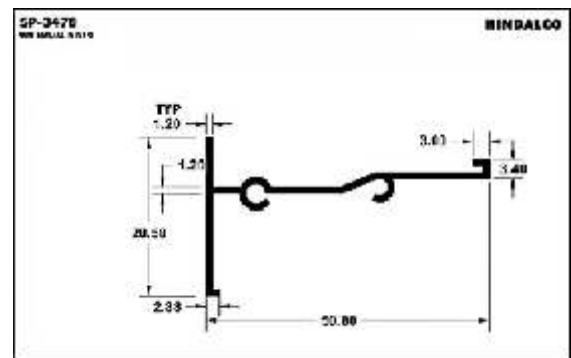
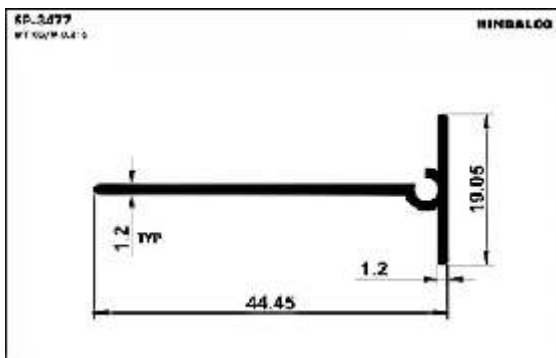
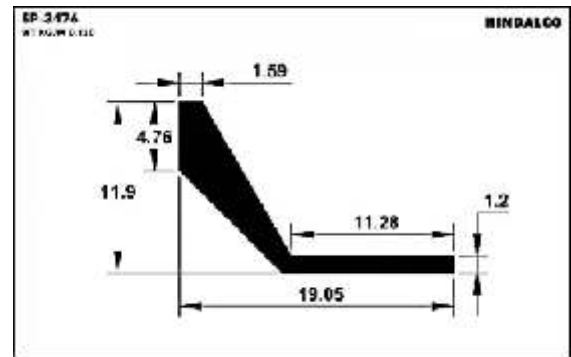
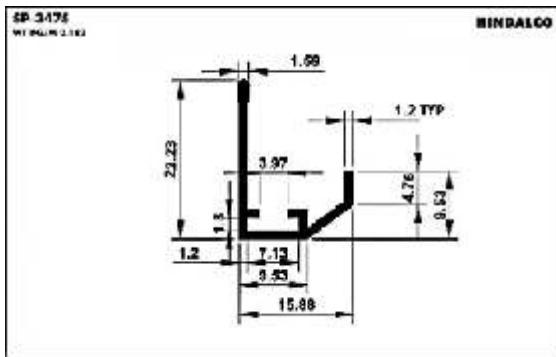
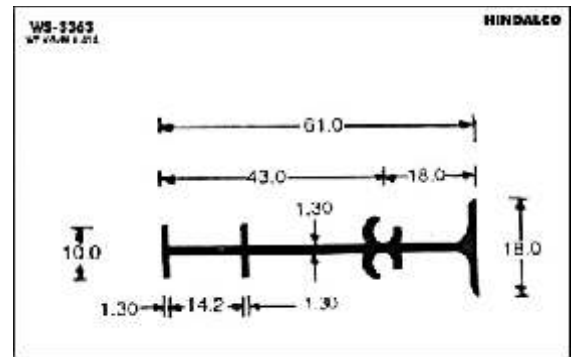
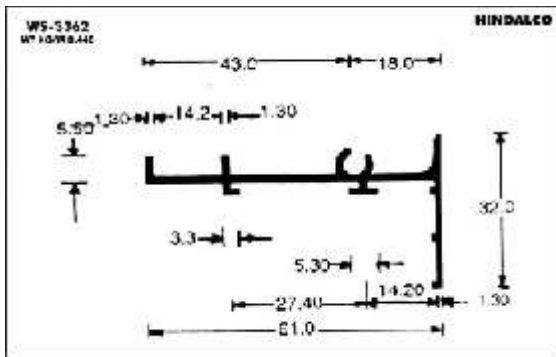
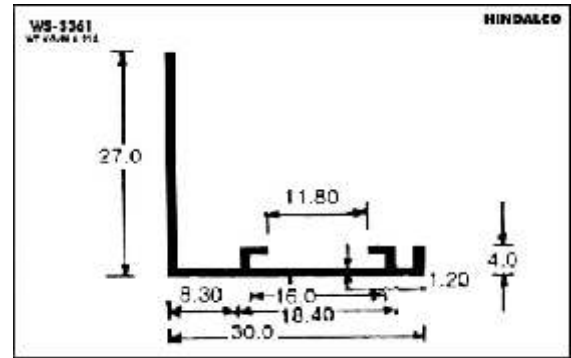
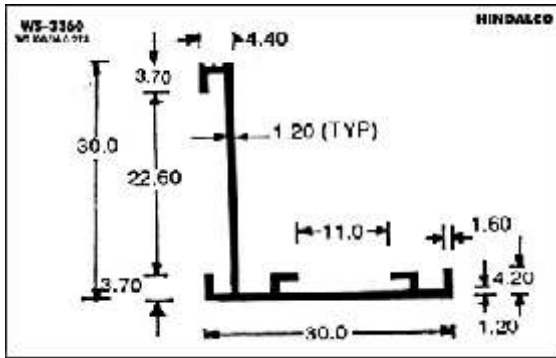
A.C. Grills



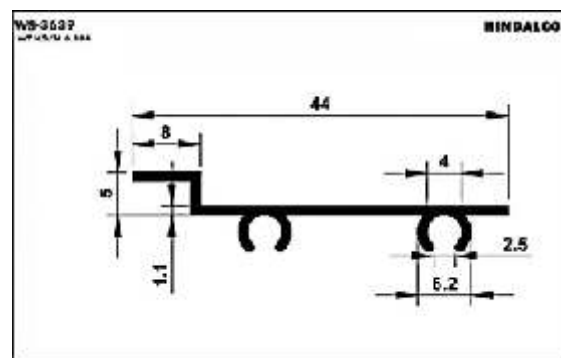
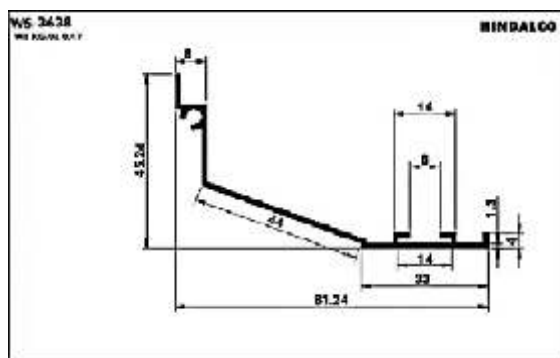
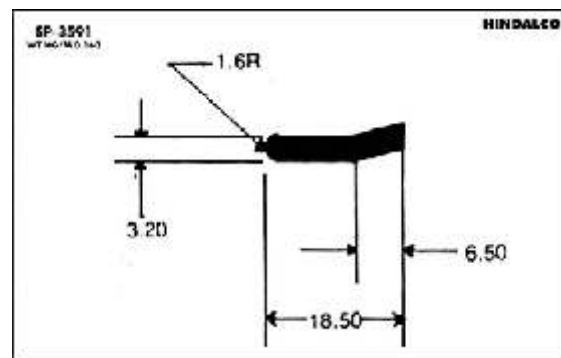
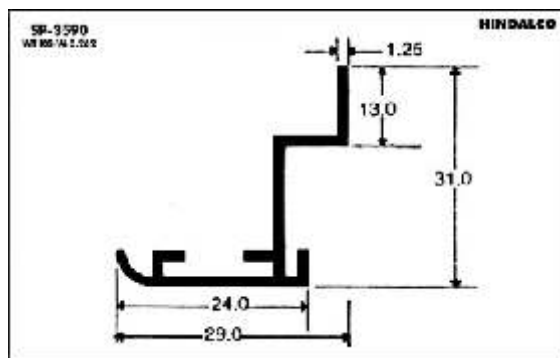
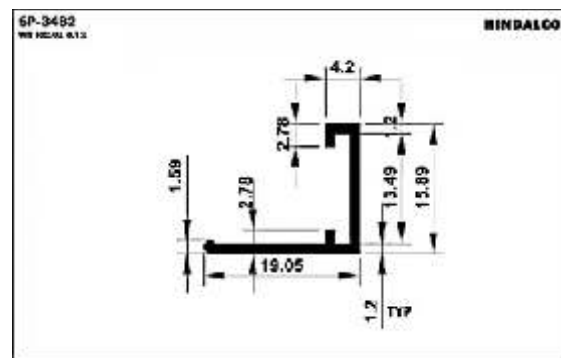
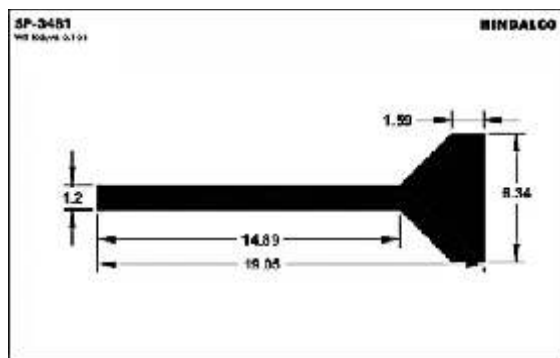
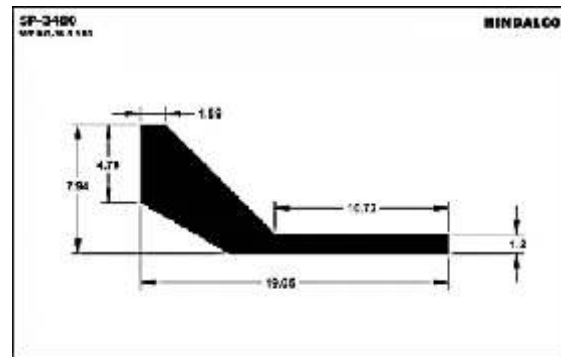
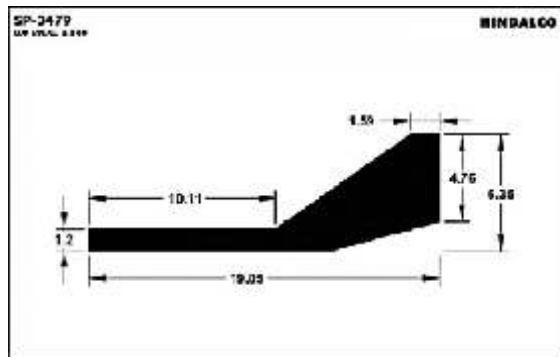
A.C. Grills



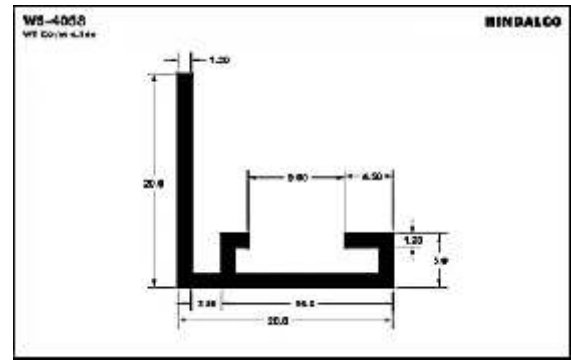
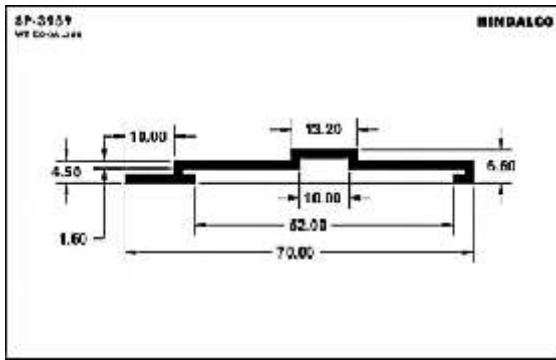
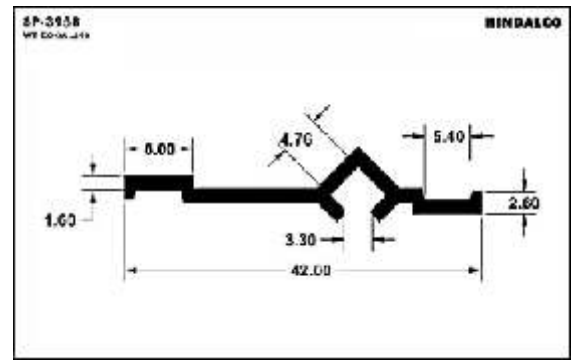
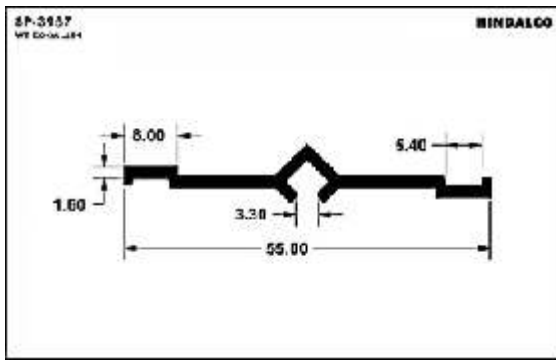
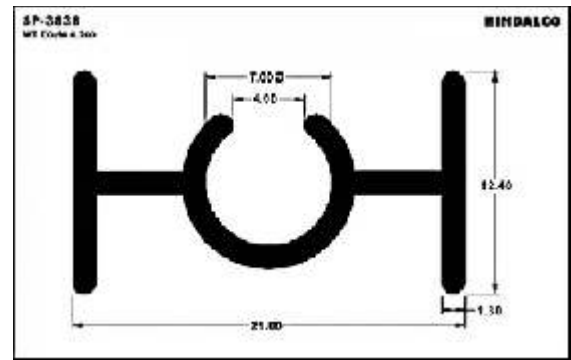
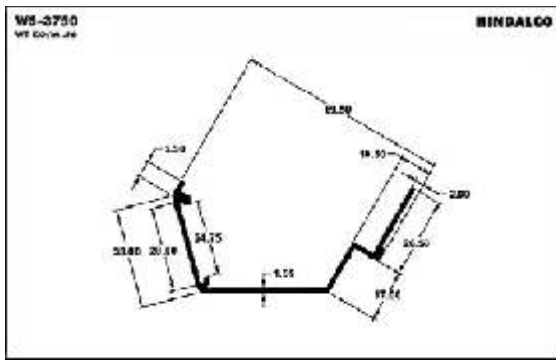
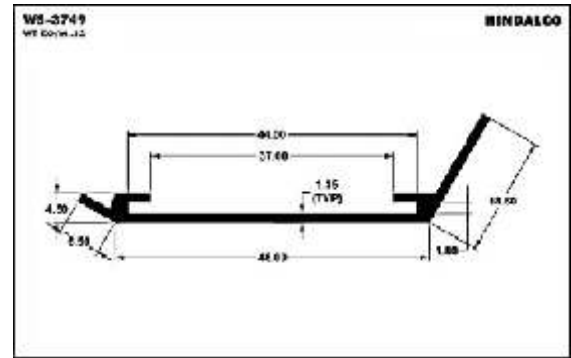
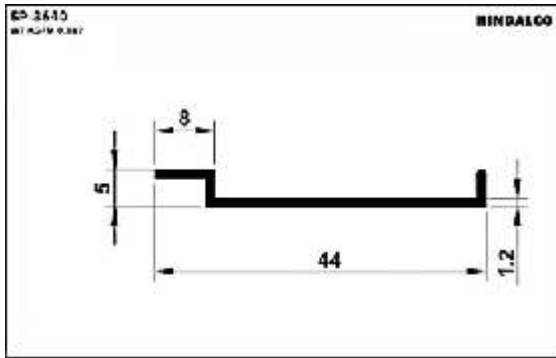
A.C. Grills



## A.C. Grills

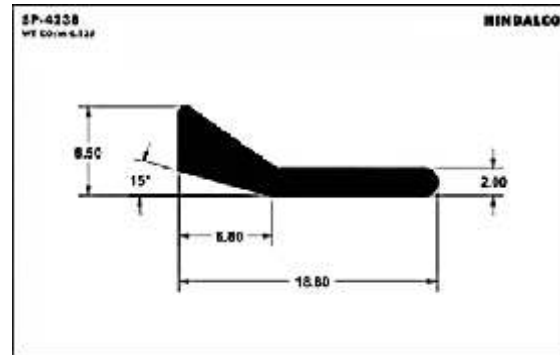
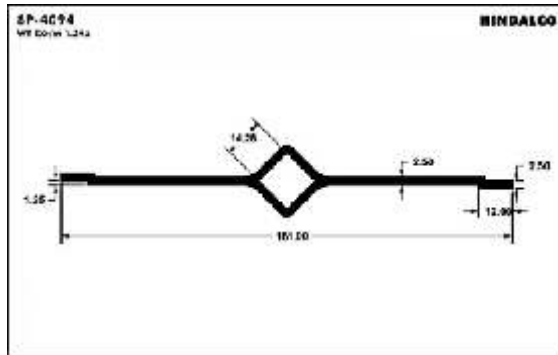


A.C. Grills

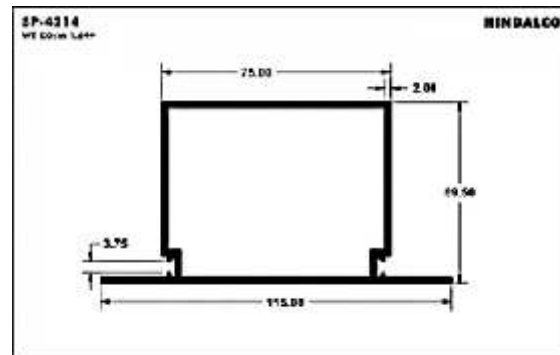
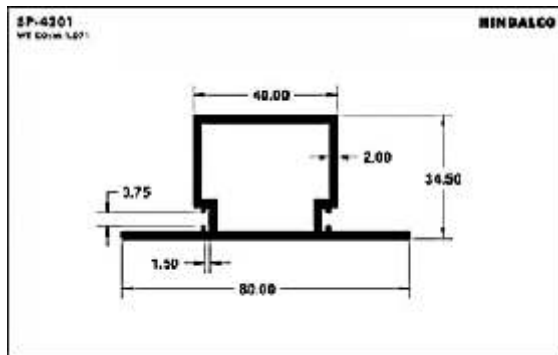
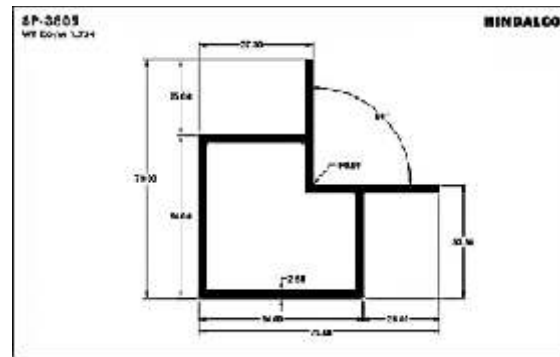
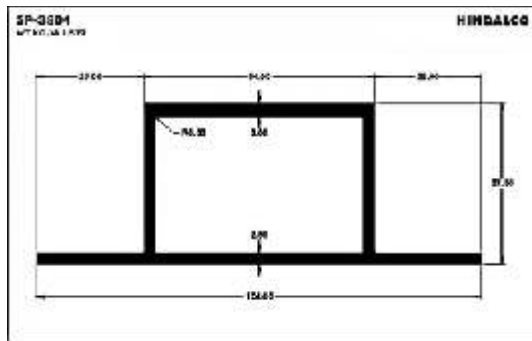




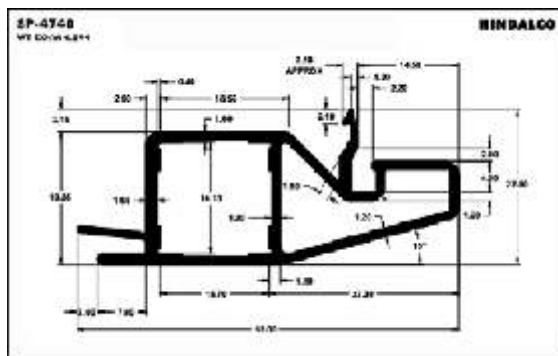
## A.C. Grills



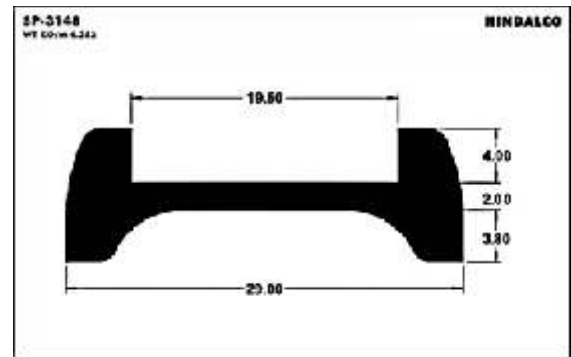
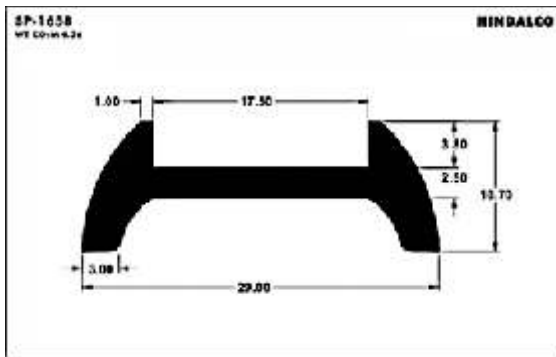
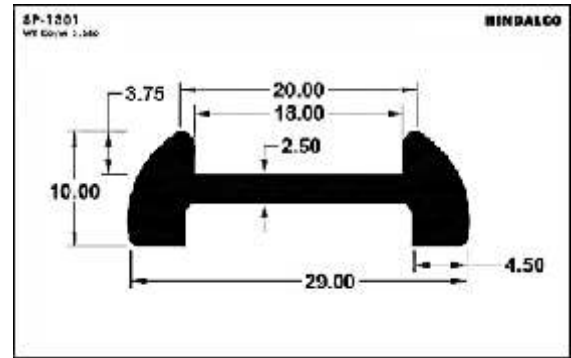
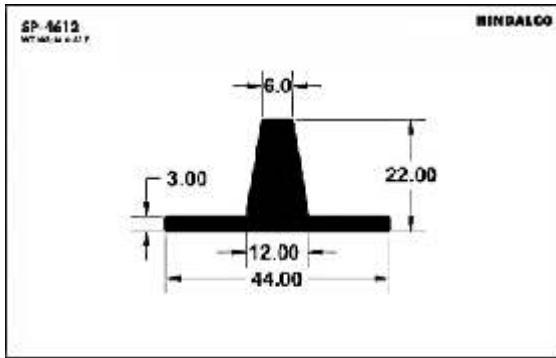
## A.C. Panels



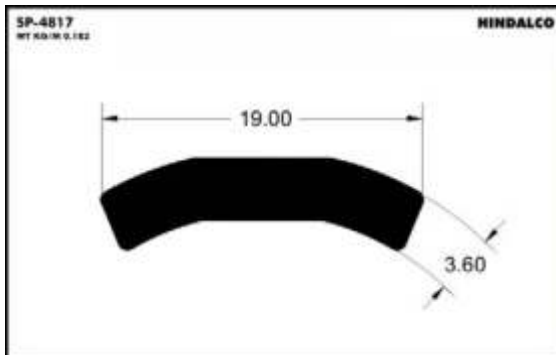
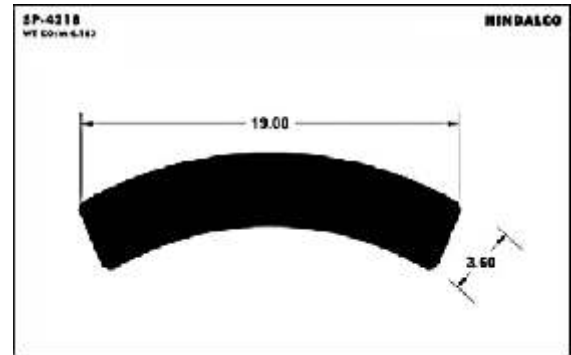
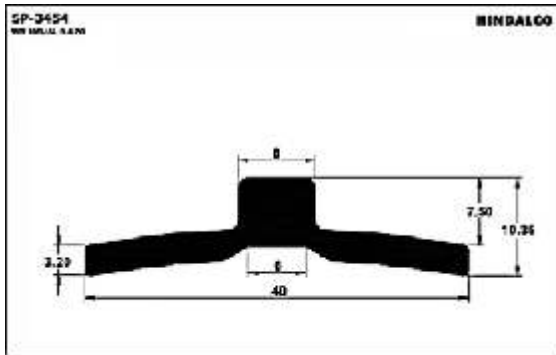
## A.C. Part



Cooker Parts

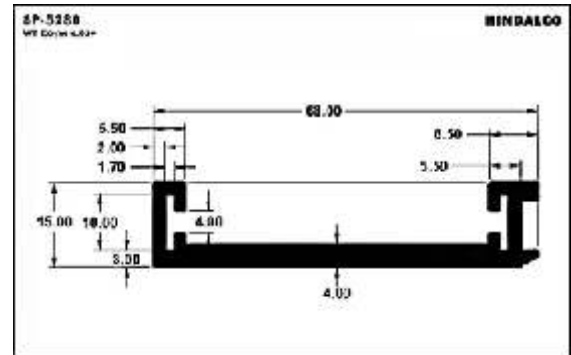
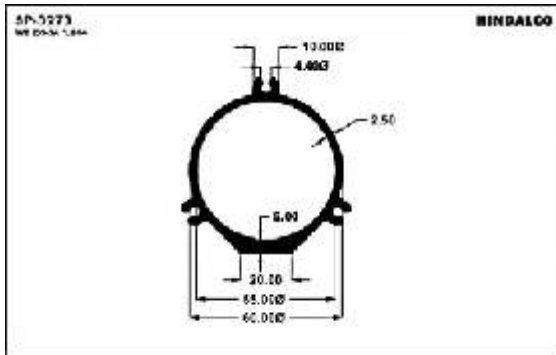


Cooker Handles

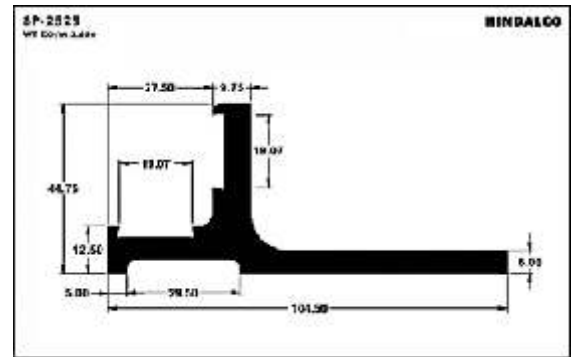
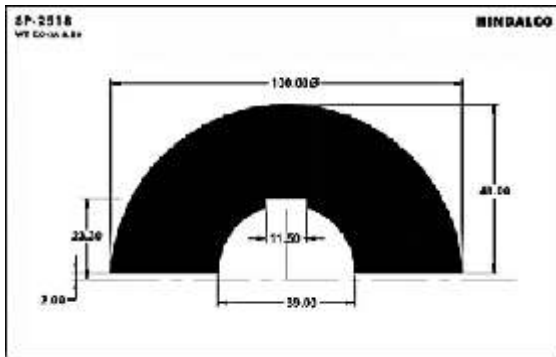
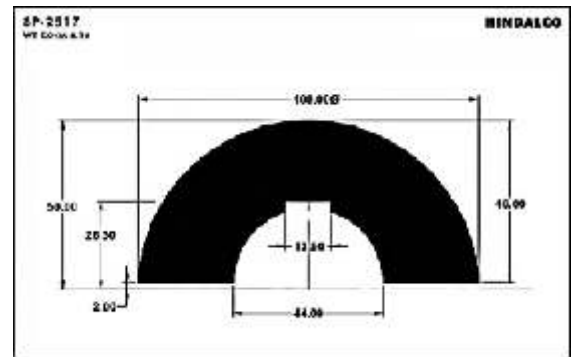
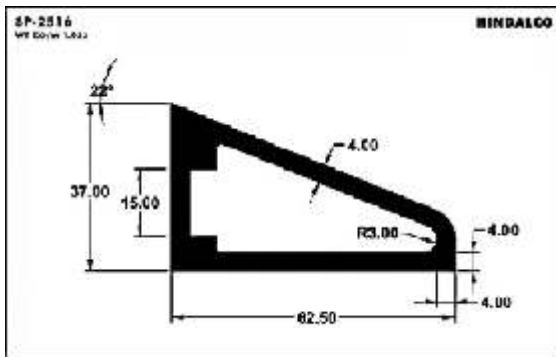
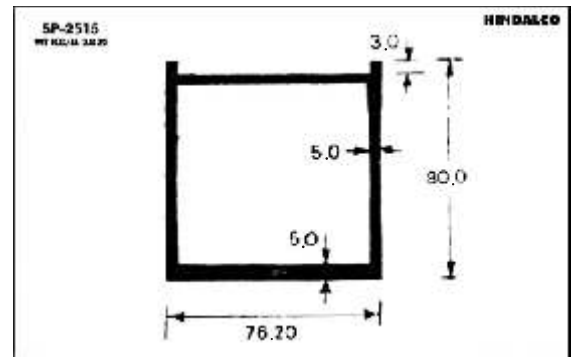
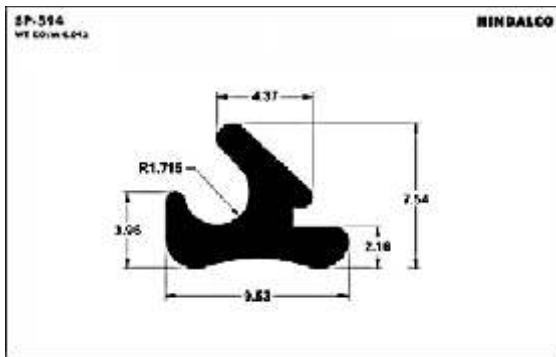




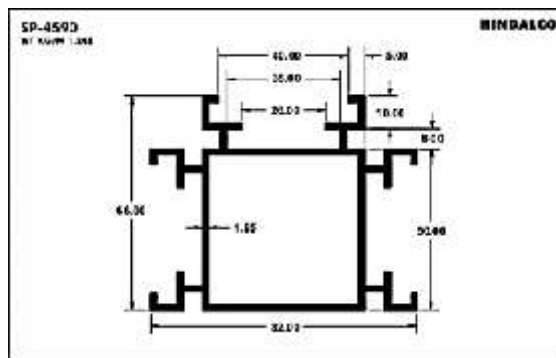
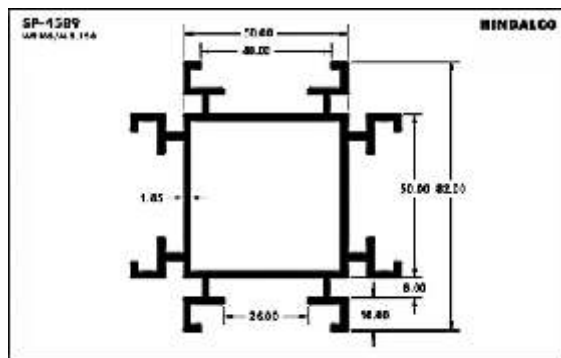
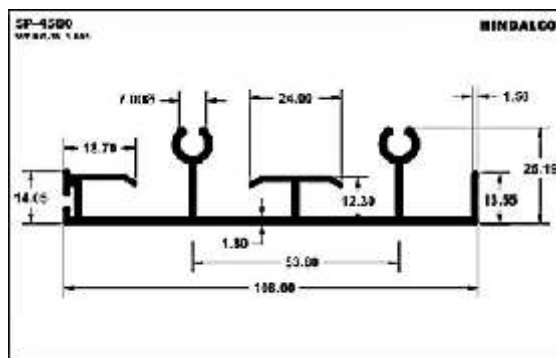
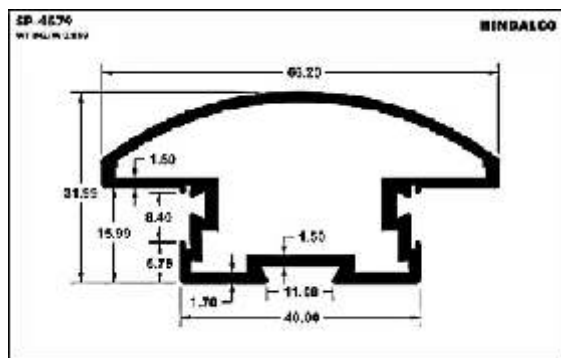
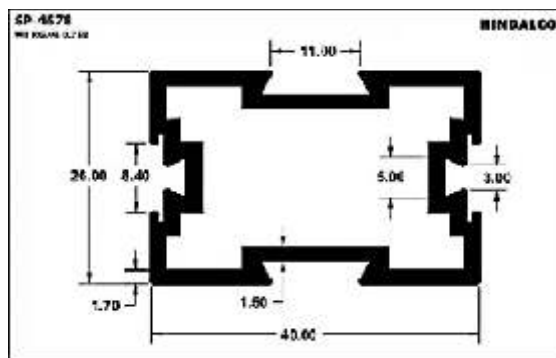
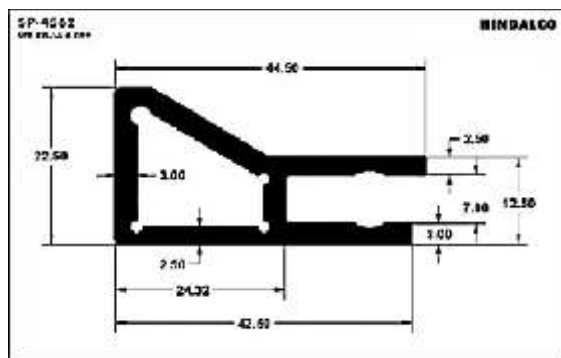
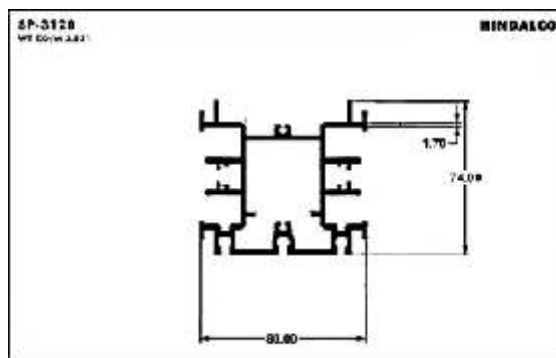
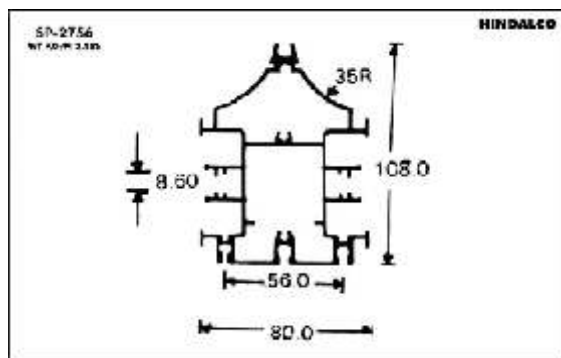
Water Filter



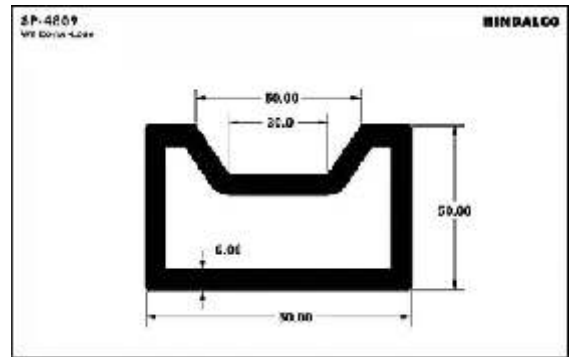
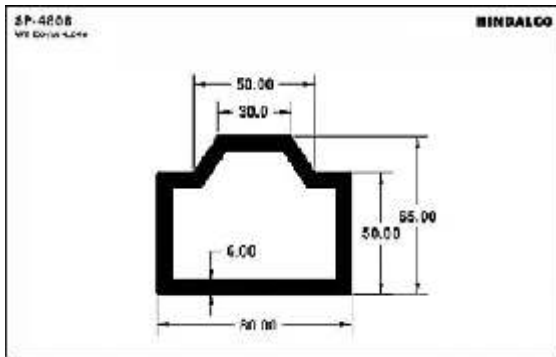
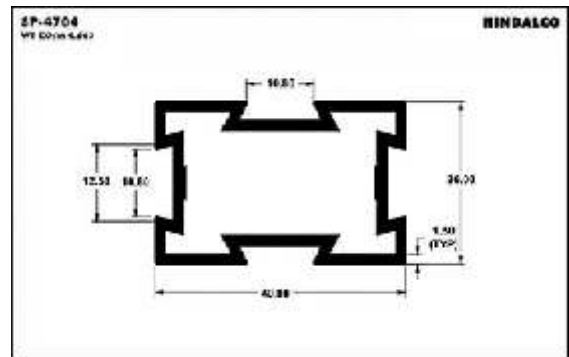
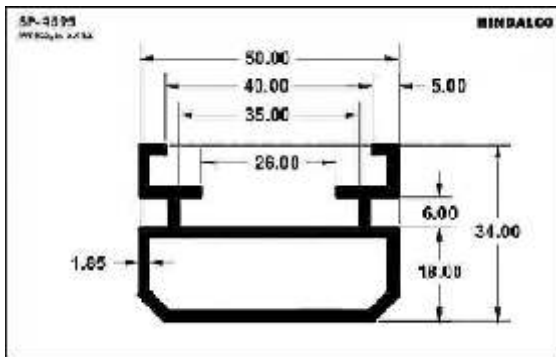
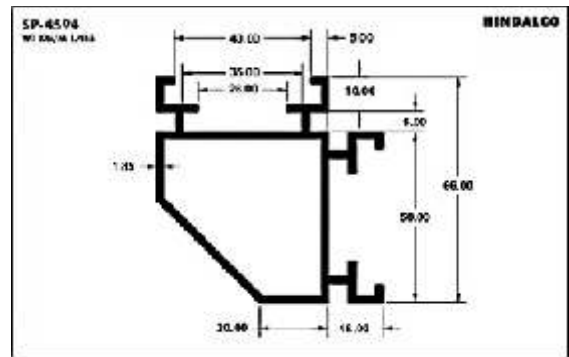
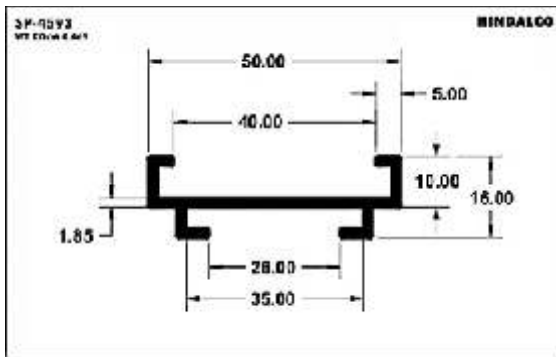
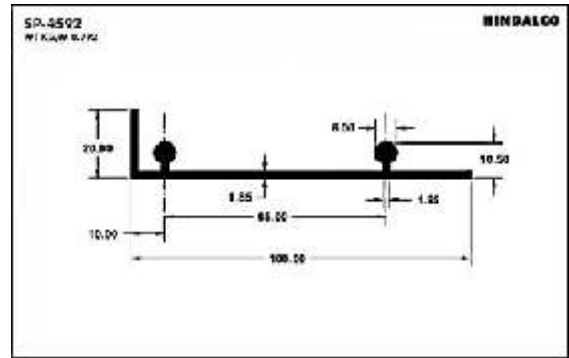
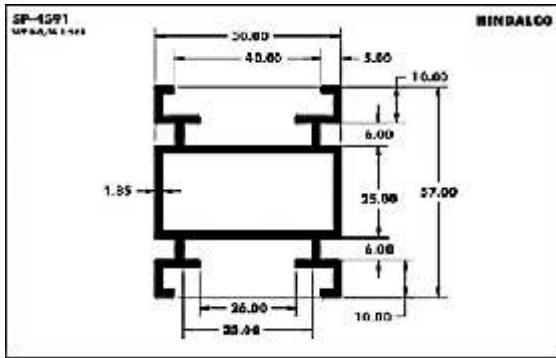
Furniture



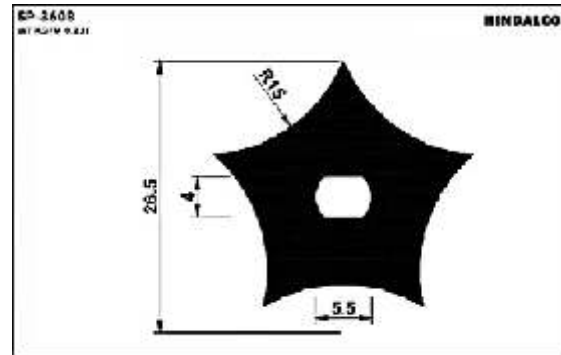
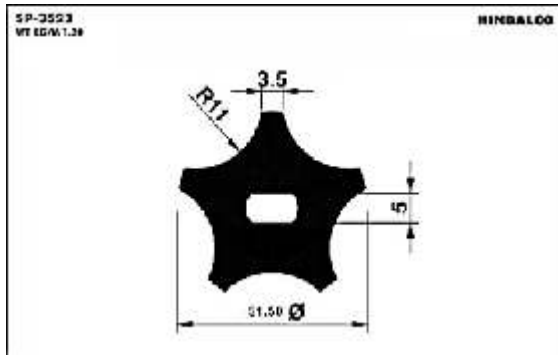
Furniture



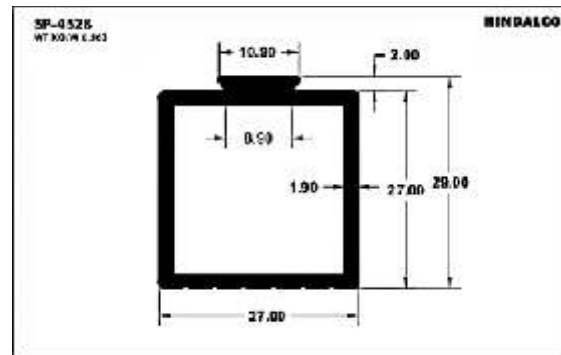
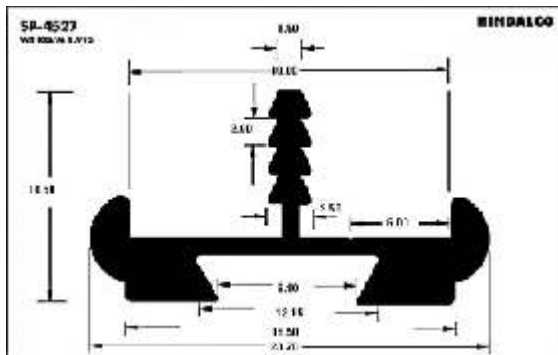
Furniture



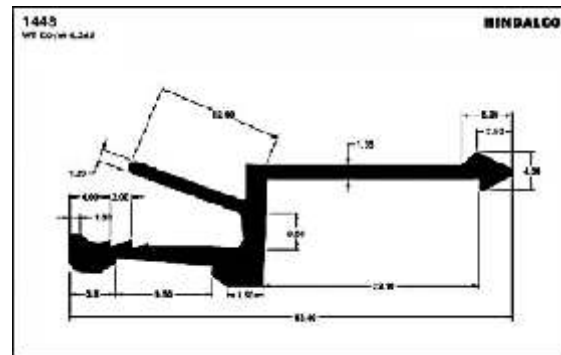
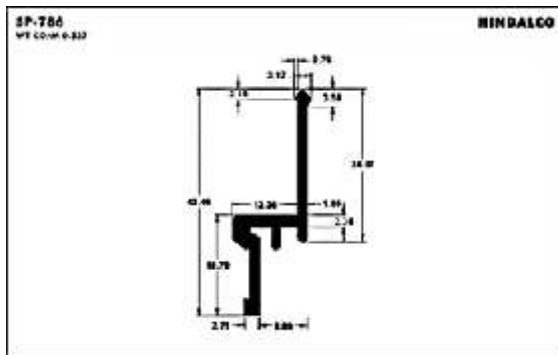
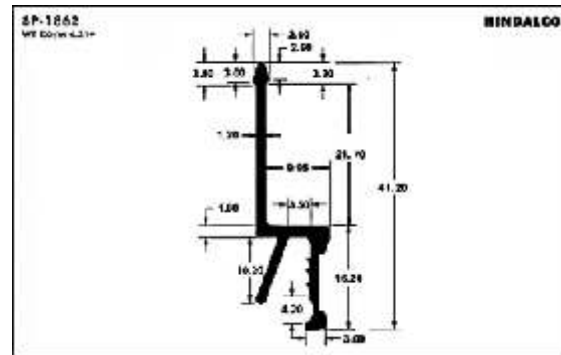
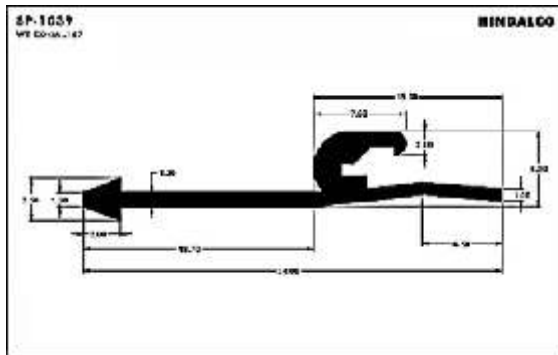
## Furniture Drawer Knob



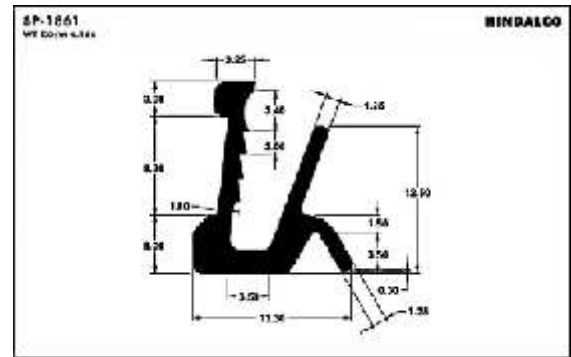
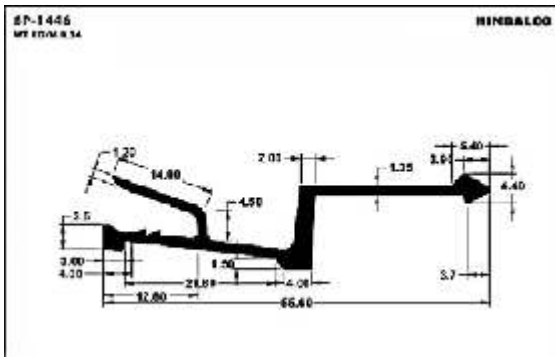
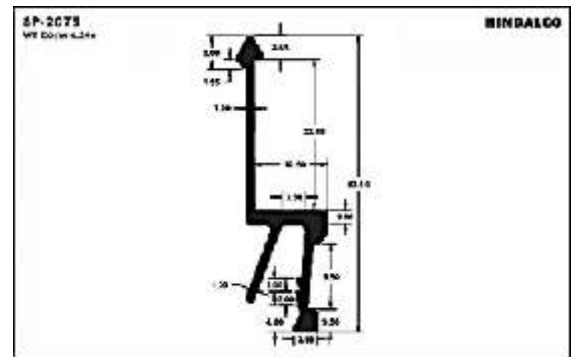
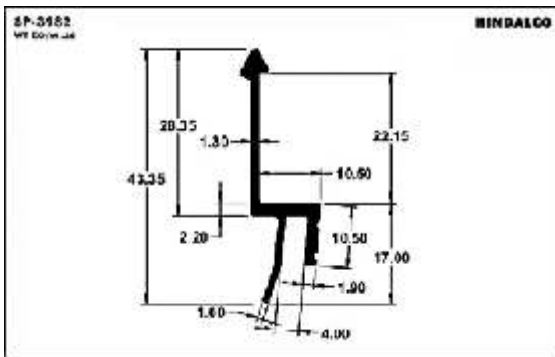
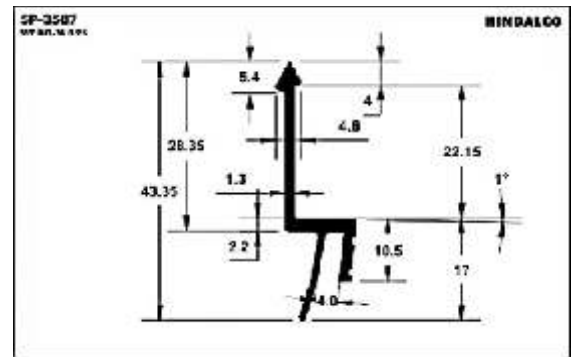
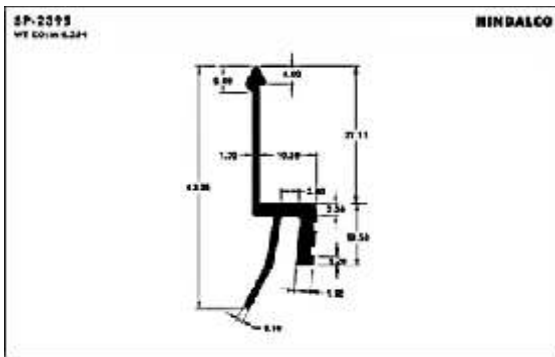
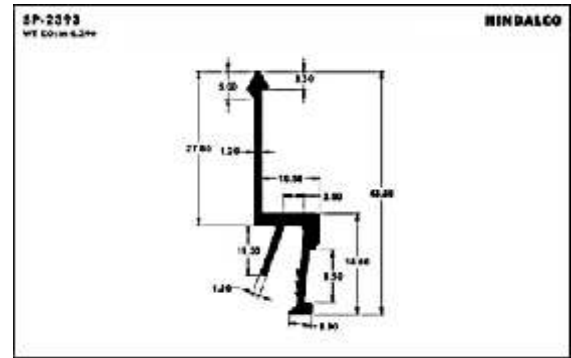
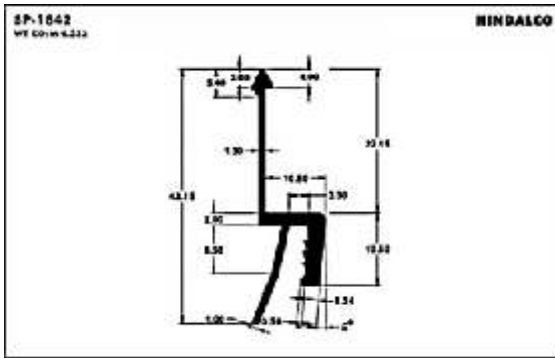
## Furniture - Kitchen Shelf



## Moulded Luggage

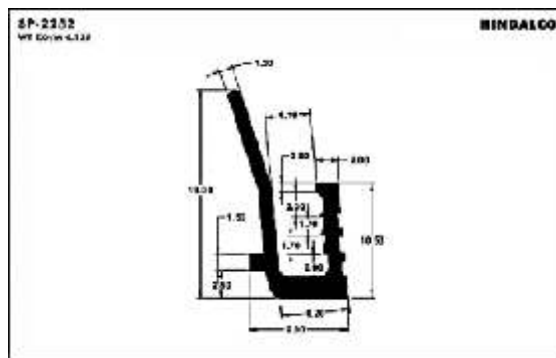
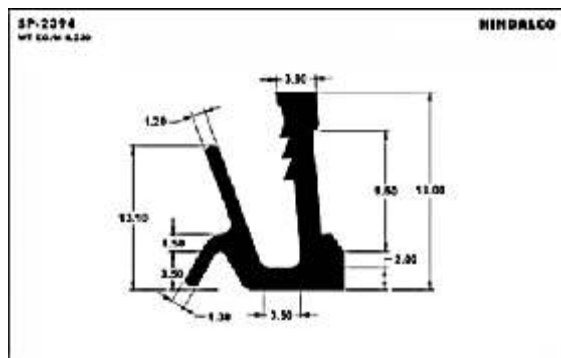
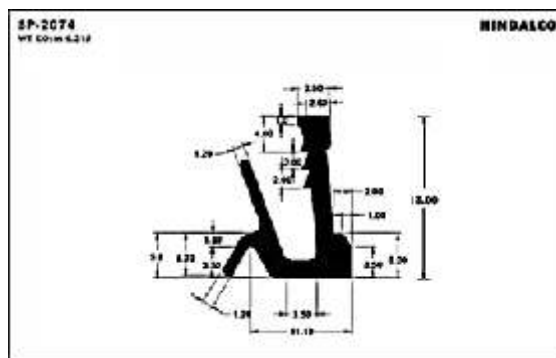
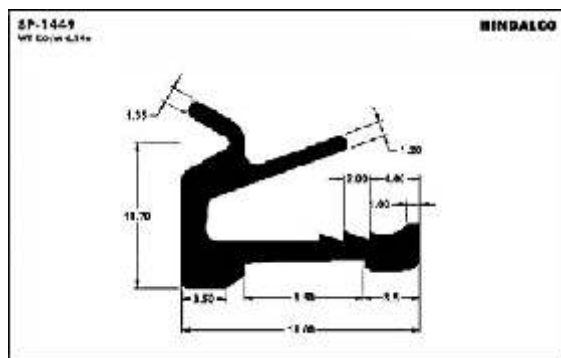
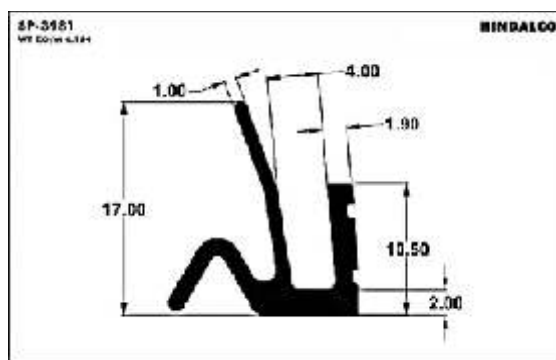
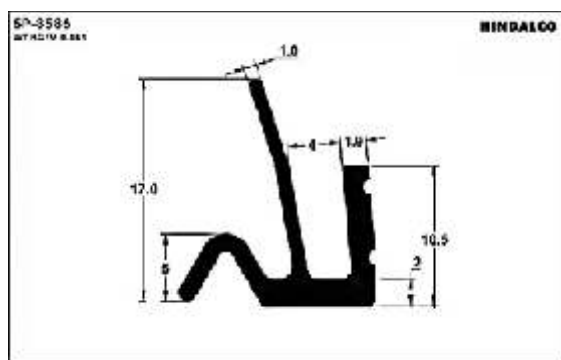
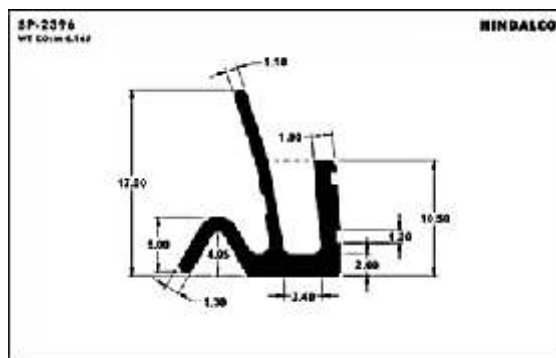
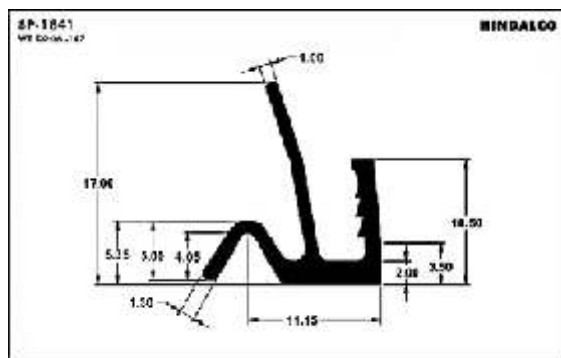


### Moulded Luggage

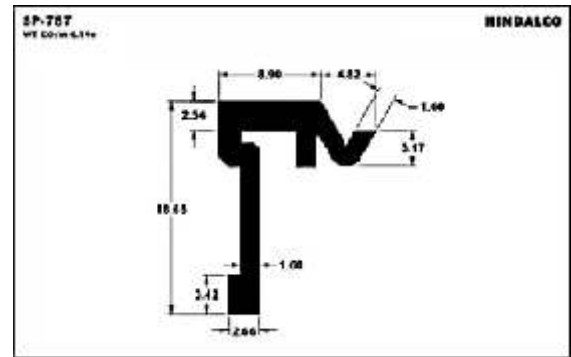
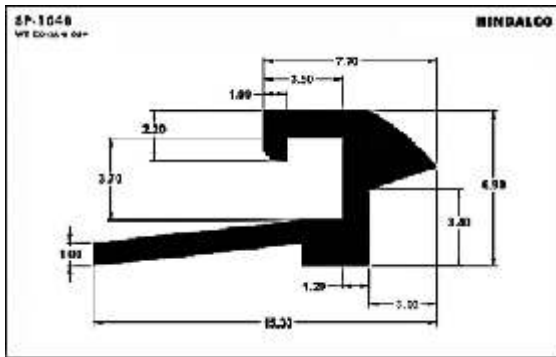
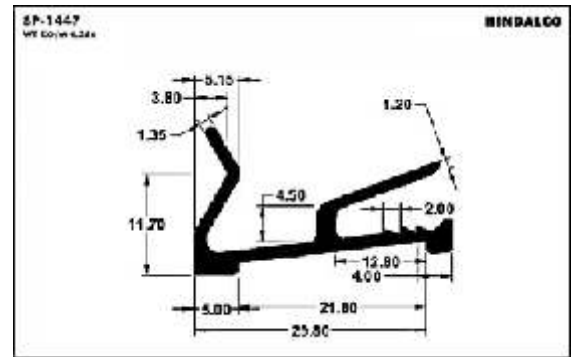
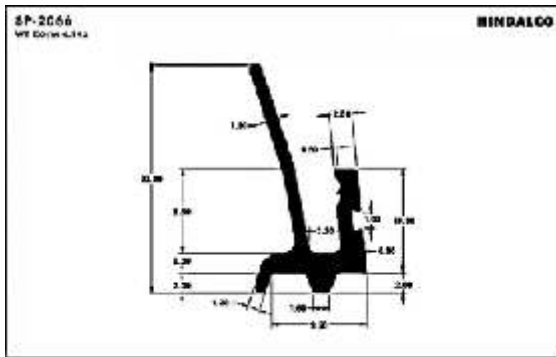
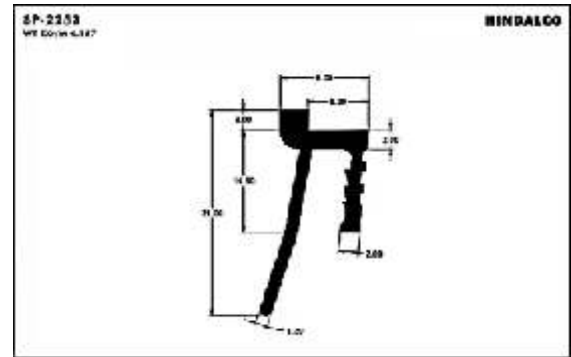
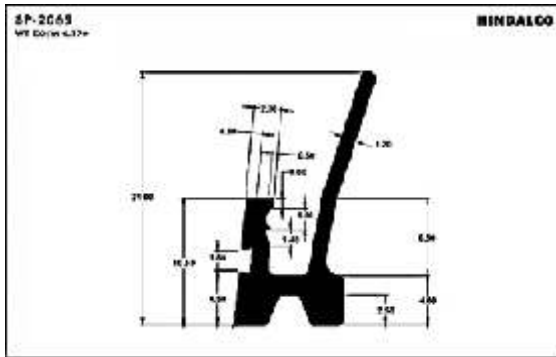
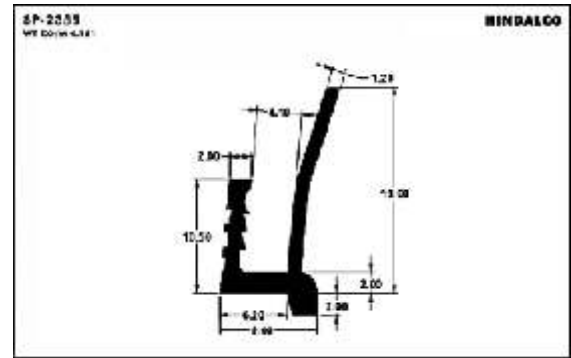
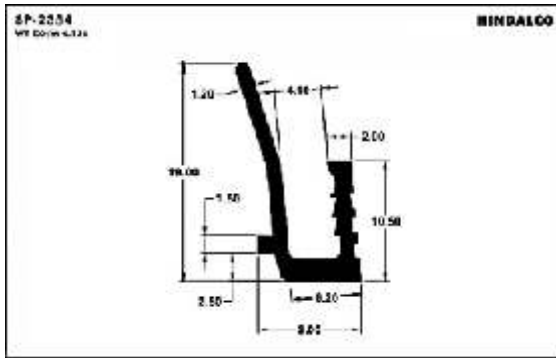




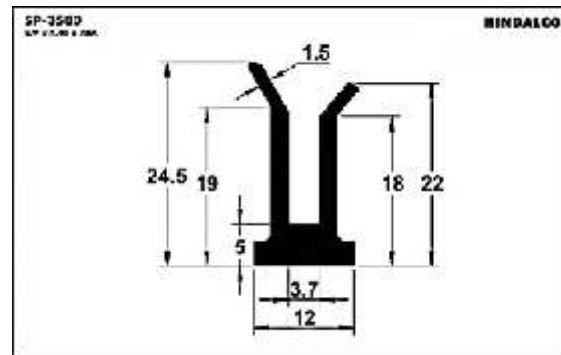
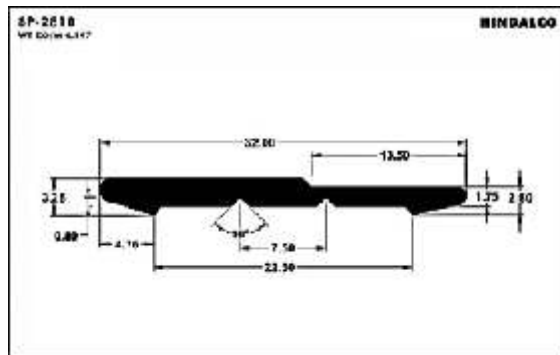
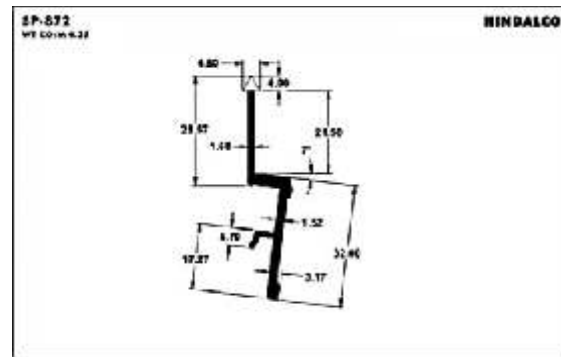
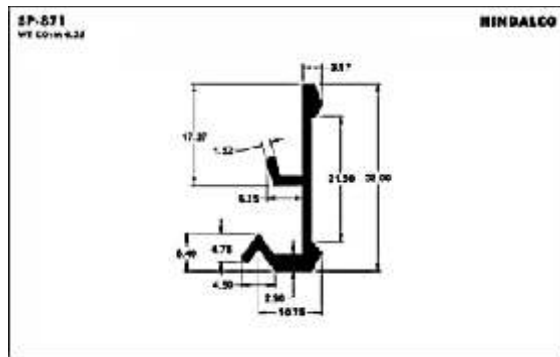
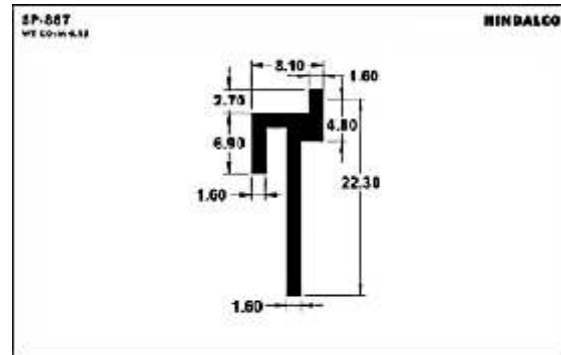
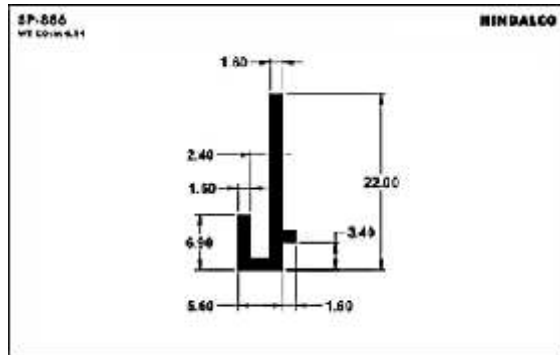
### Moulded Luggage



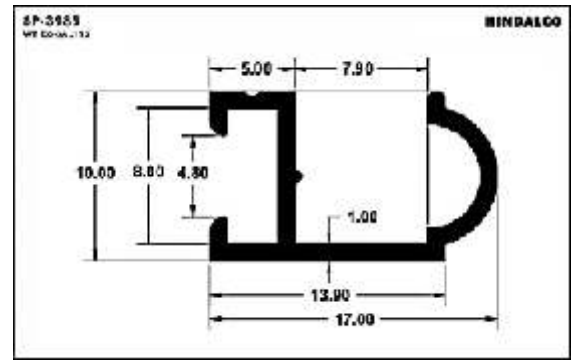
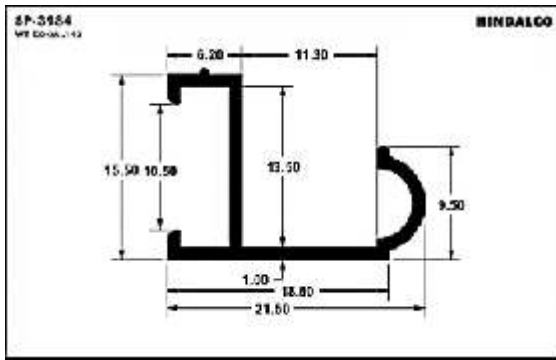
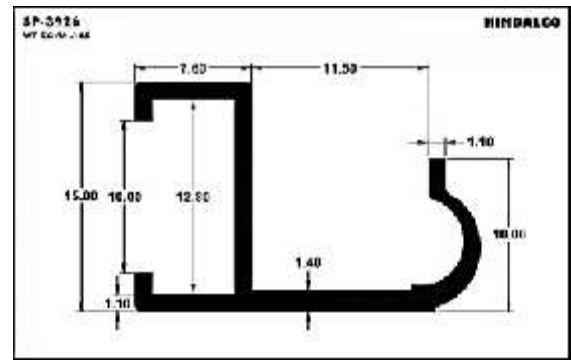
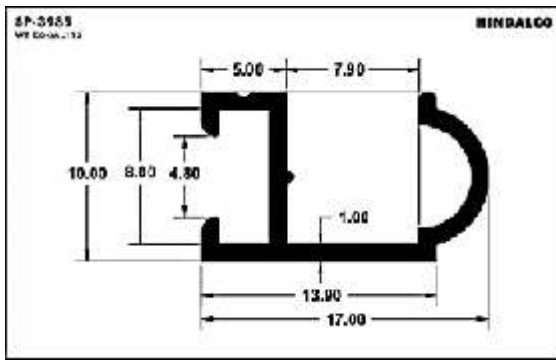
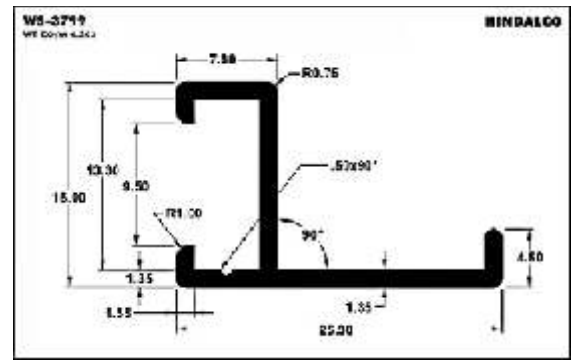
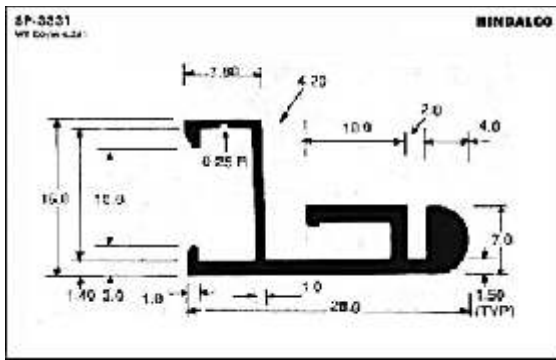
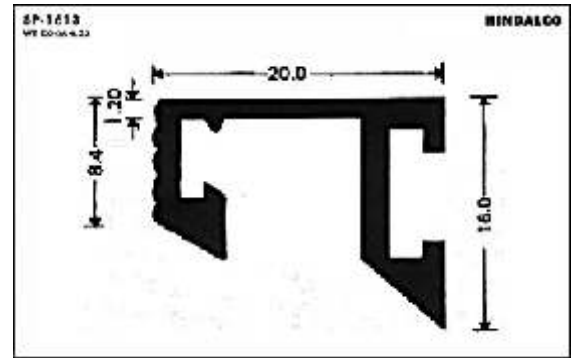
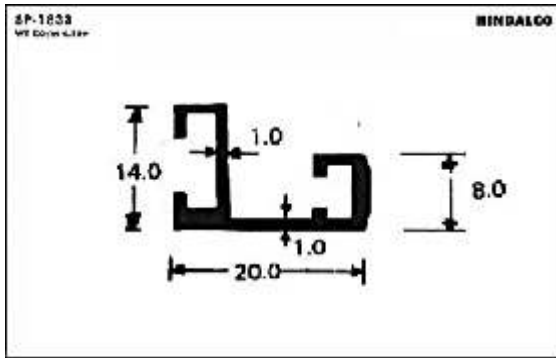
Moulded Luggage



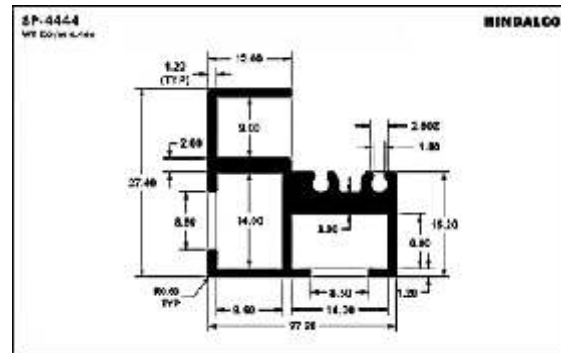
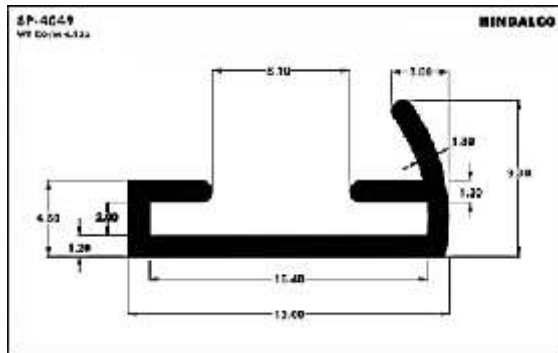
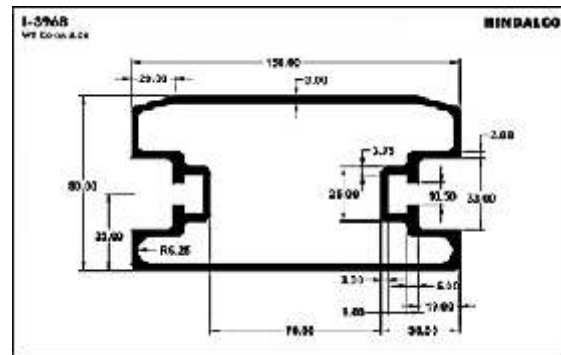
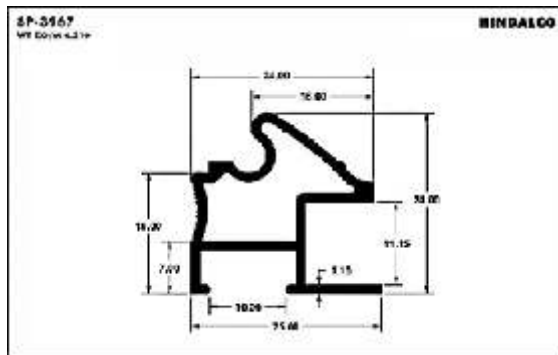
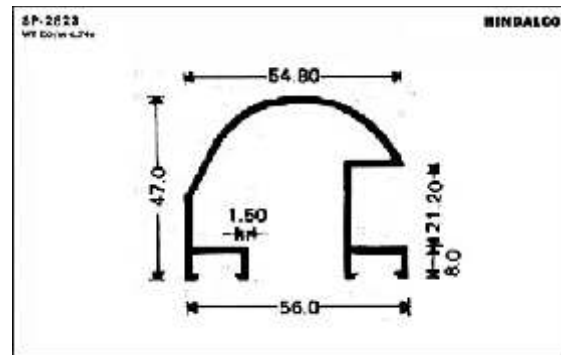
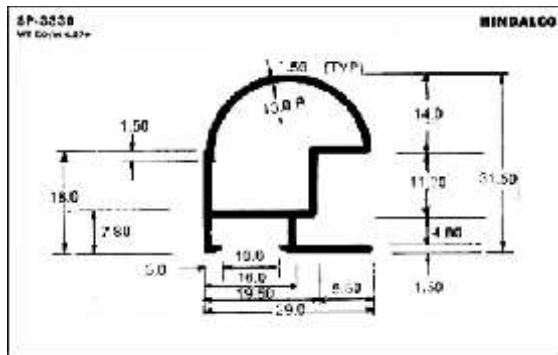
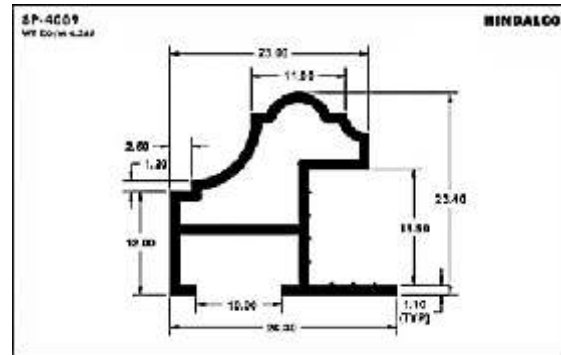
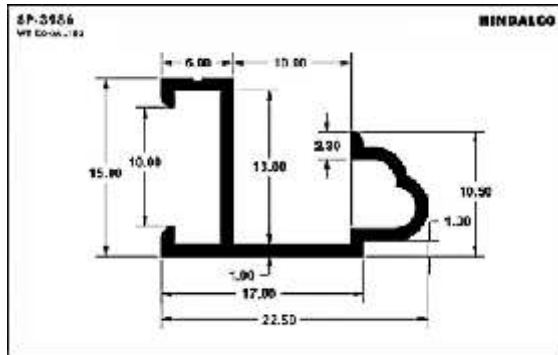
## Moulded Luggage



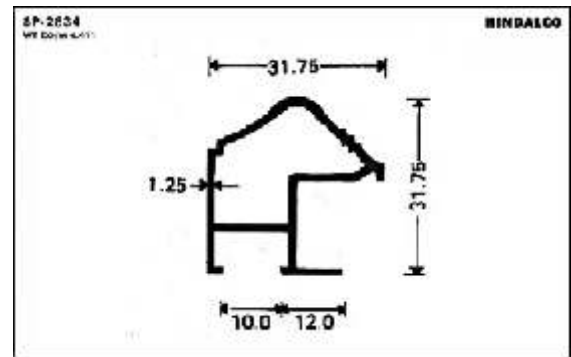
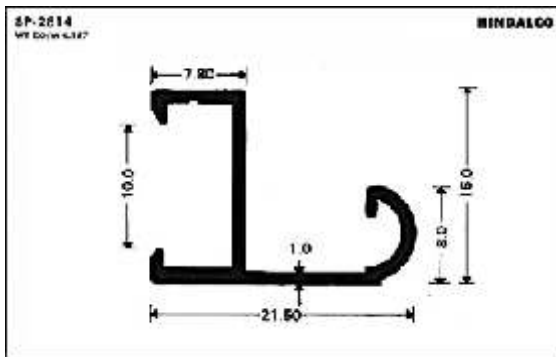
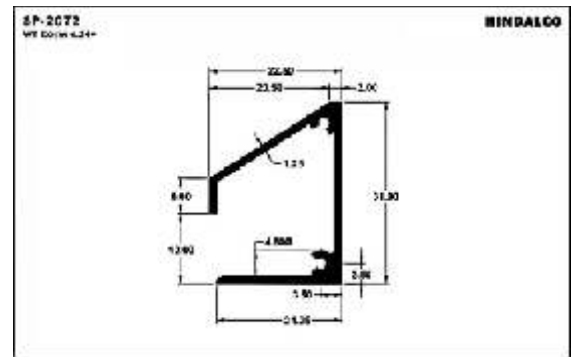
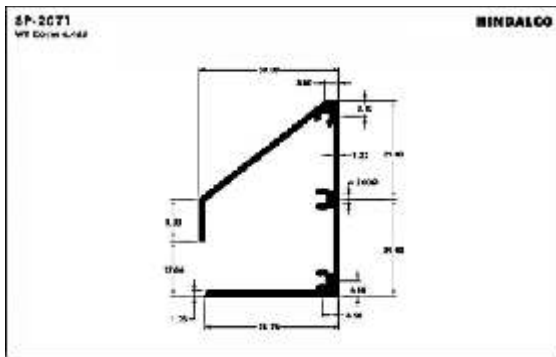
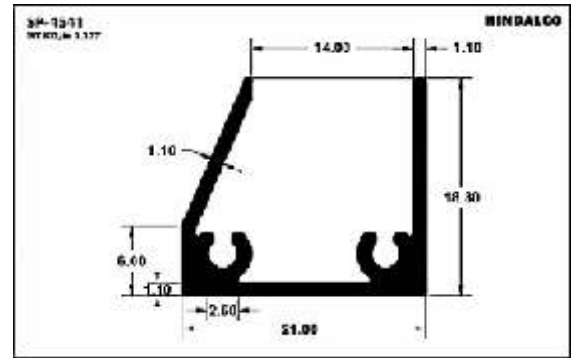
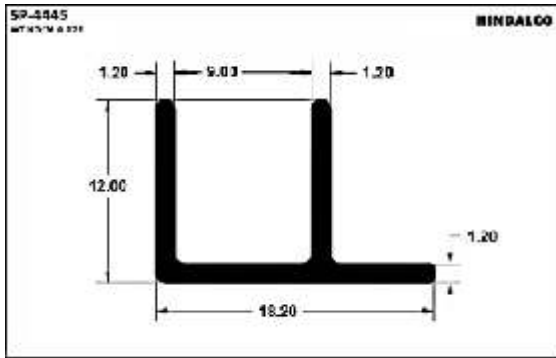
Photoframes



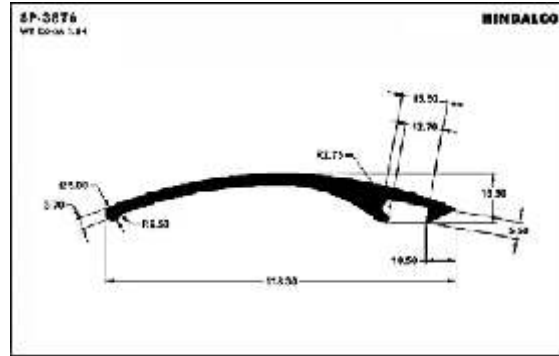
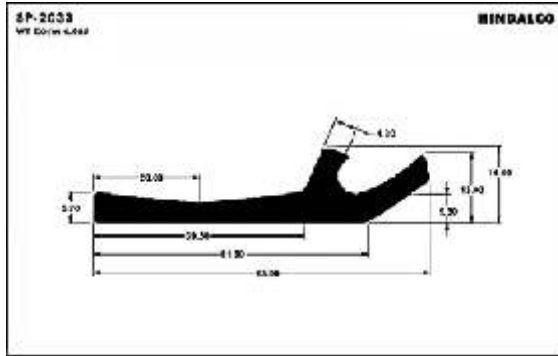
## Photoframes



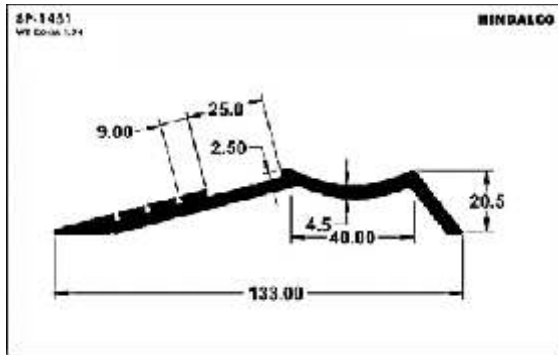
Photoframes



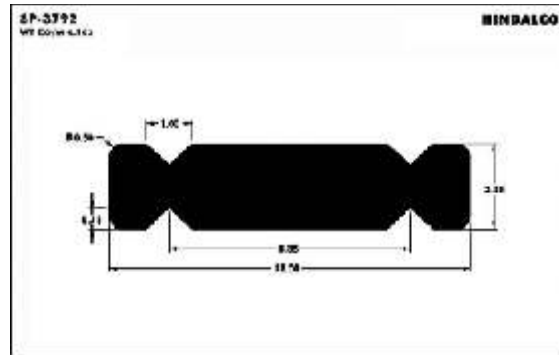
Bottle Opener



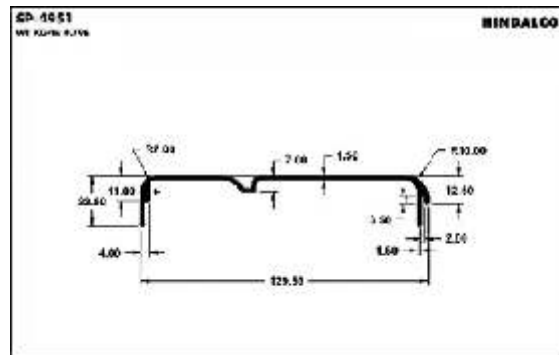
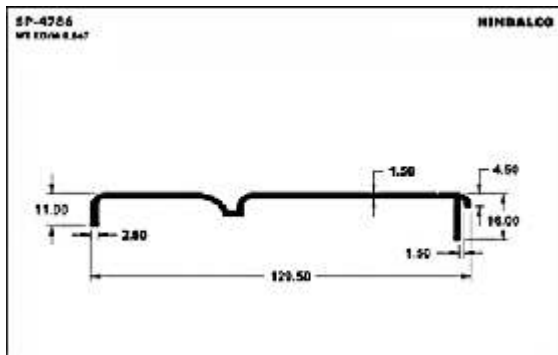
Calendar



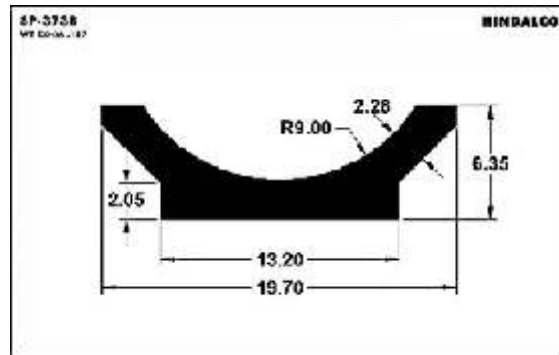
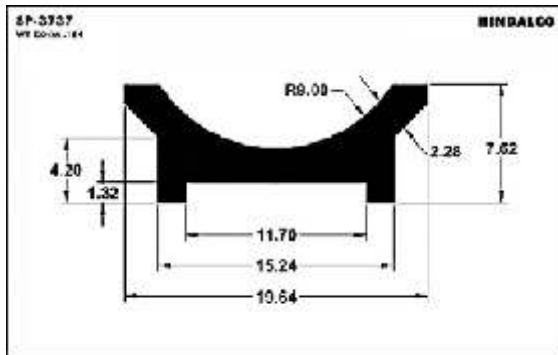
Carpet Corner



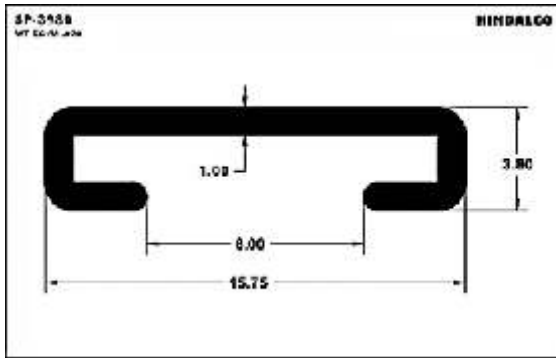
Cassette Player



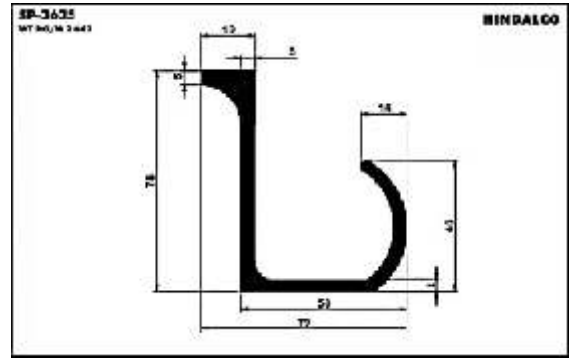
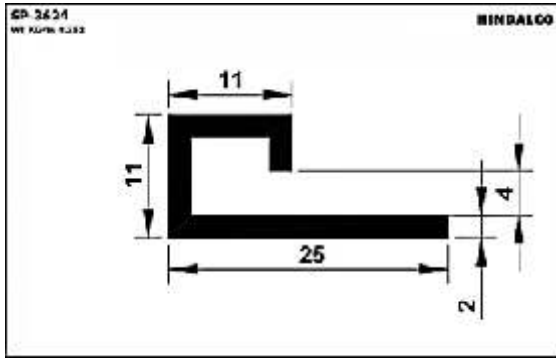
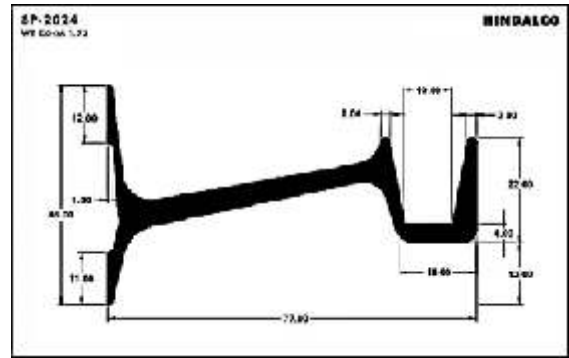
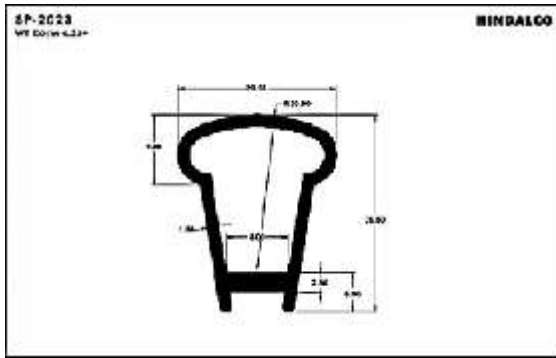
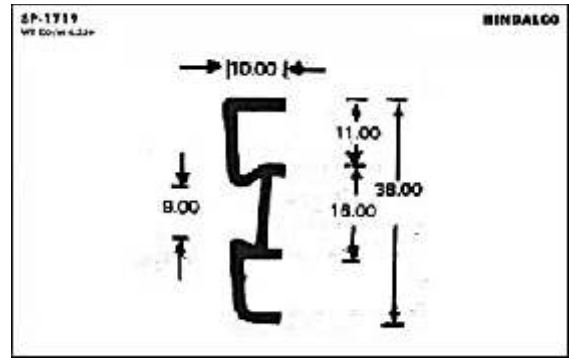
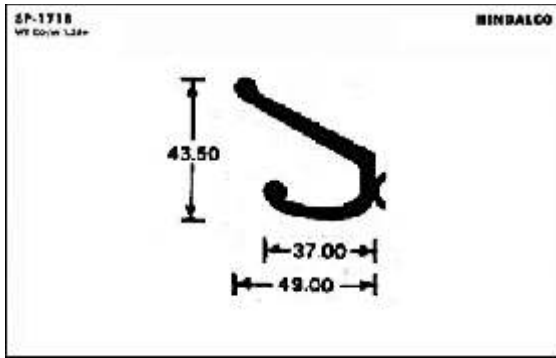
Fan Part



File Cover Clip

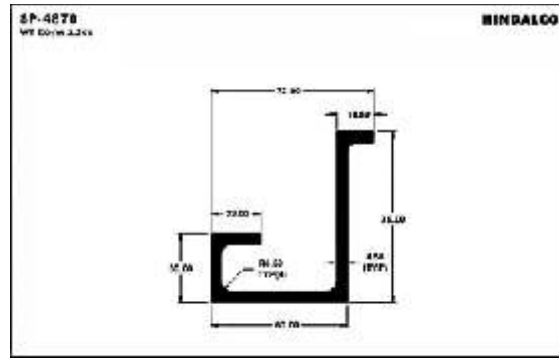
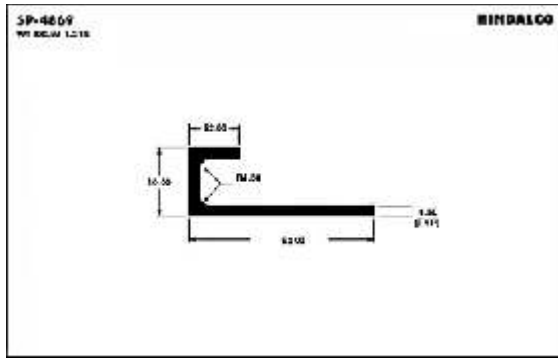
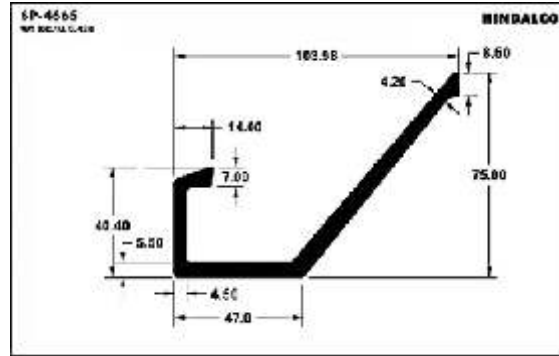
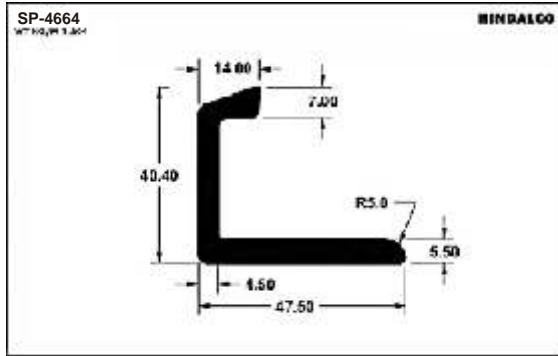


Hanger

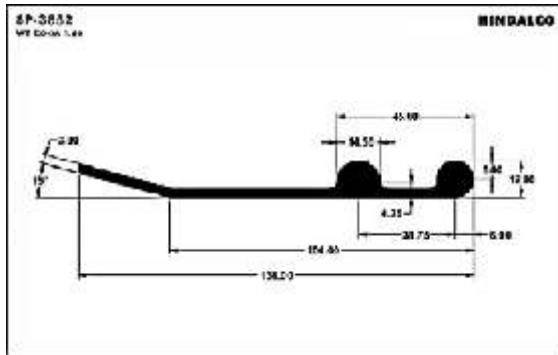




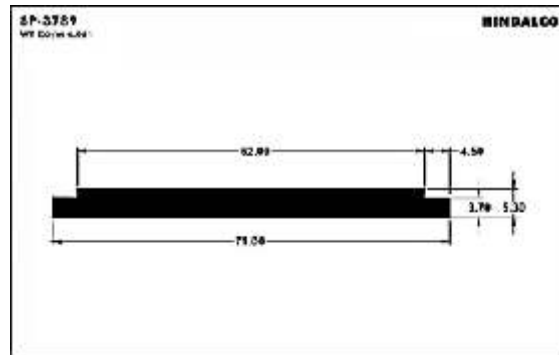
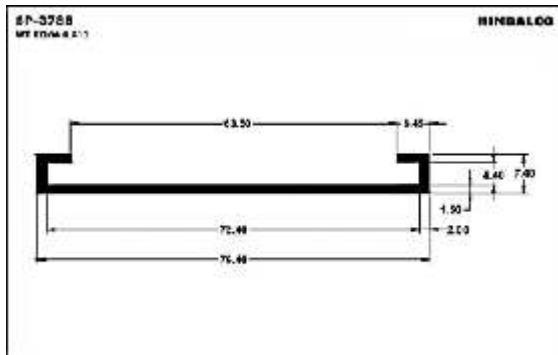
Hanger



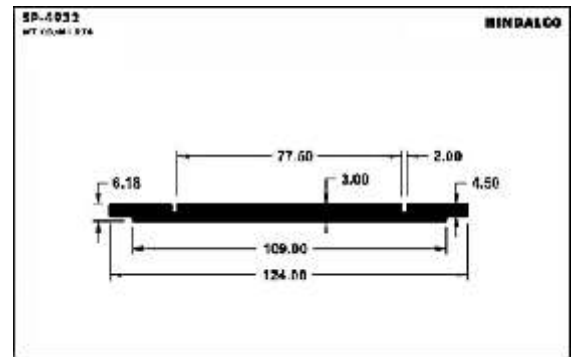
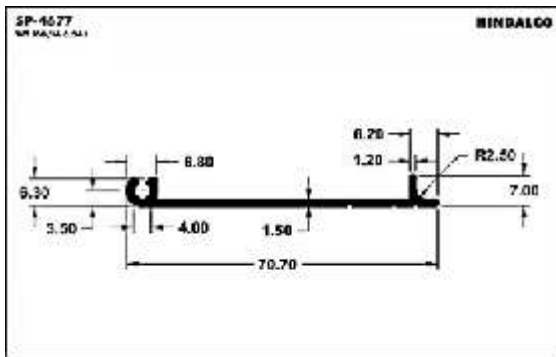
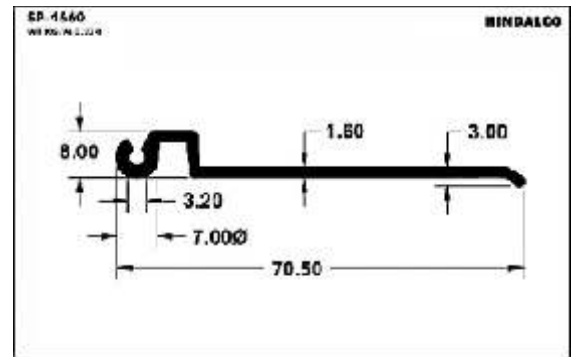
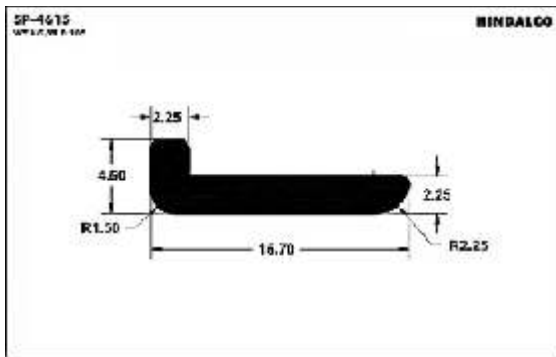
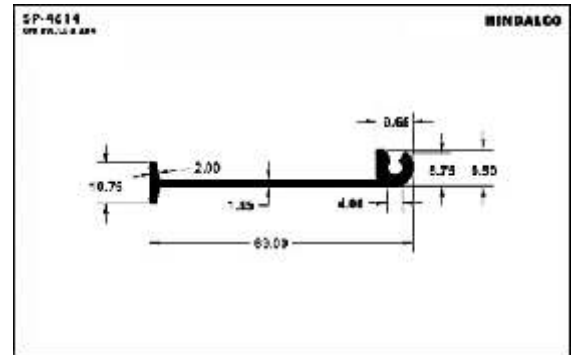
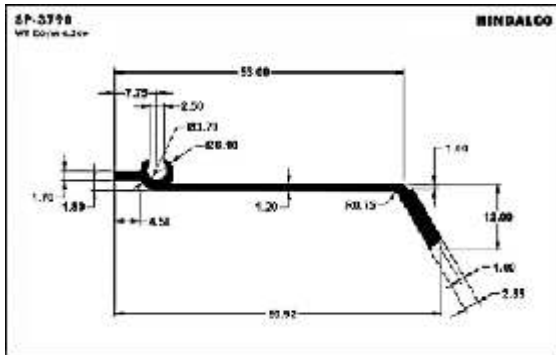
L.P.G. Cylinder



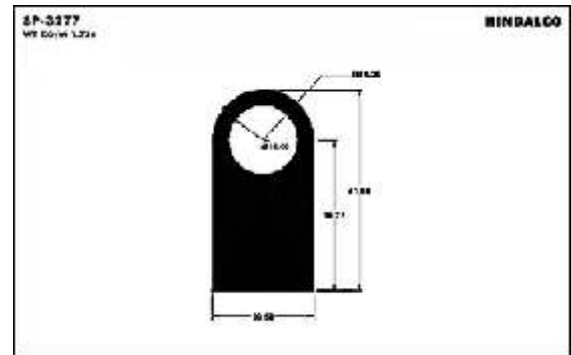
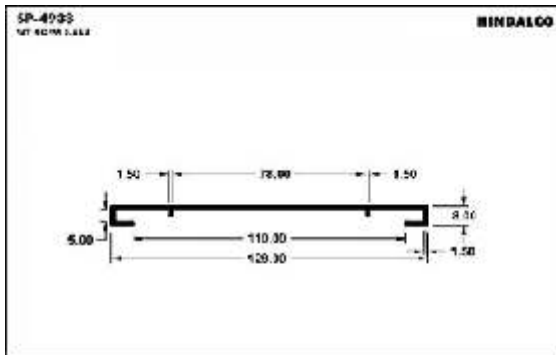
Letter Plate



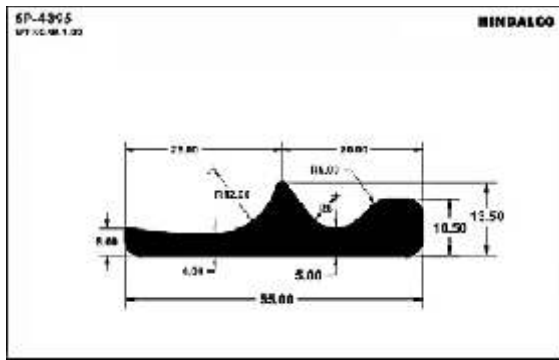
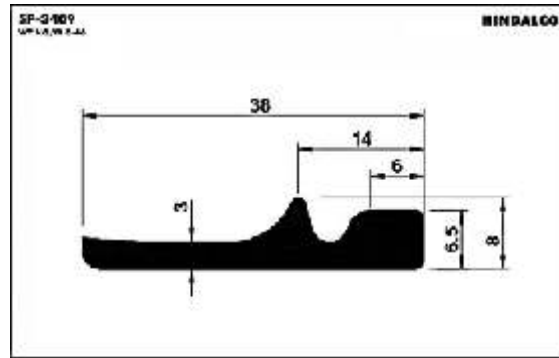
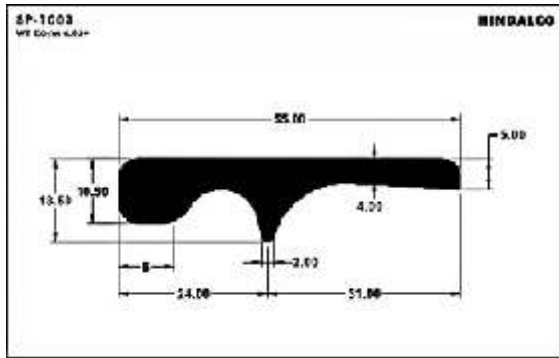
Letter Plate



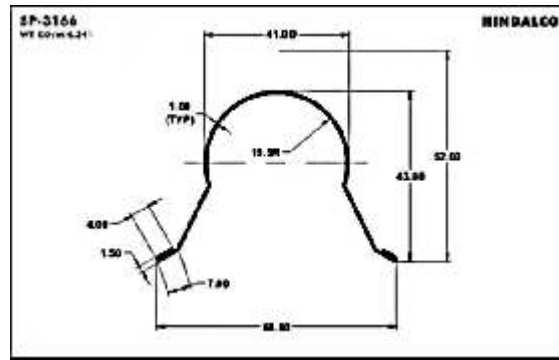
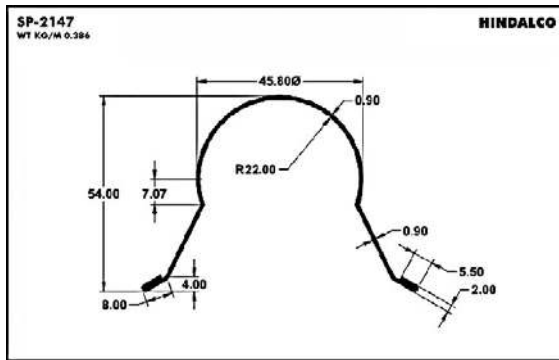
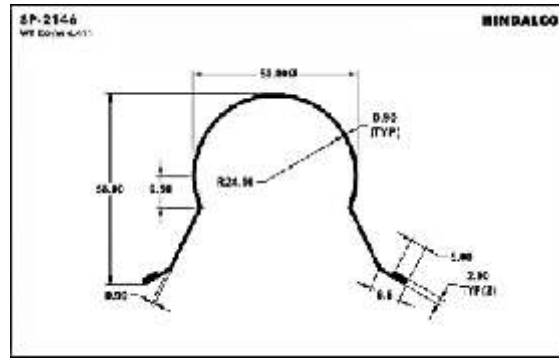
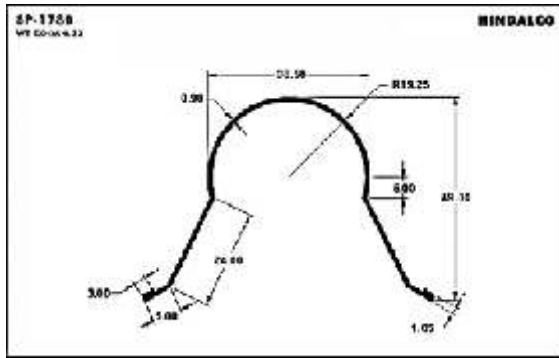
Magnifying Glass



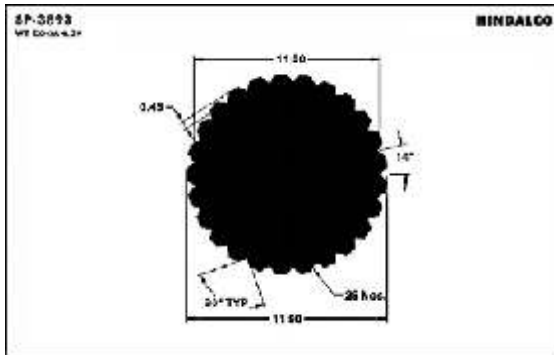
Milk Can Base



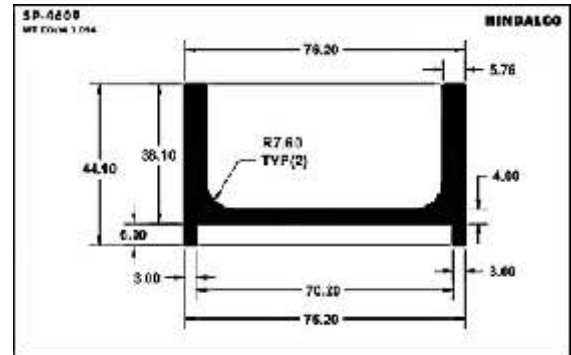
Poultry Channel



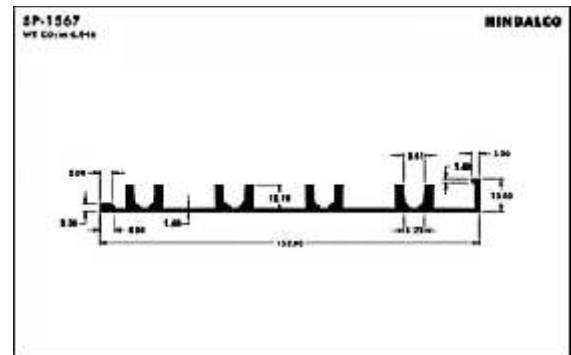
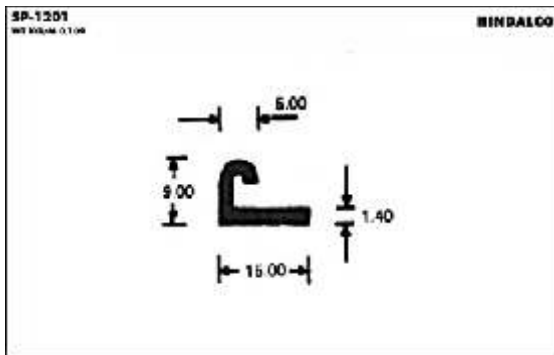
## Razor Part



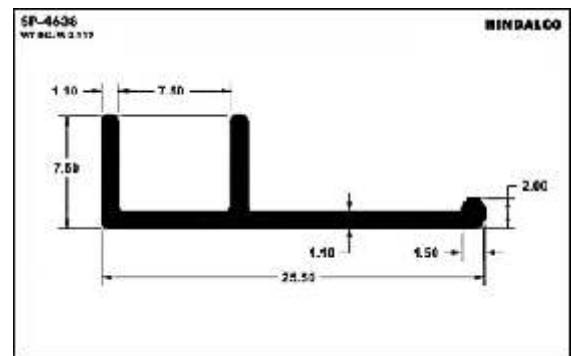
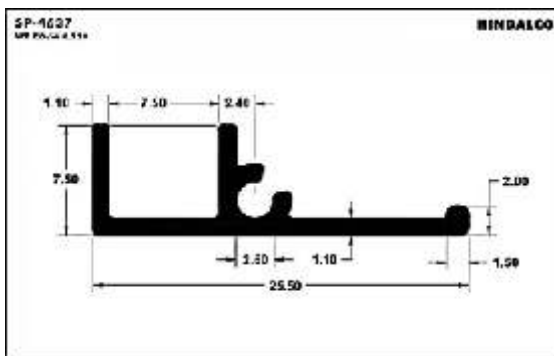
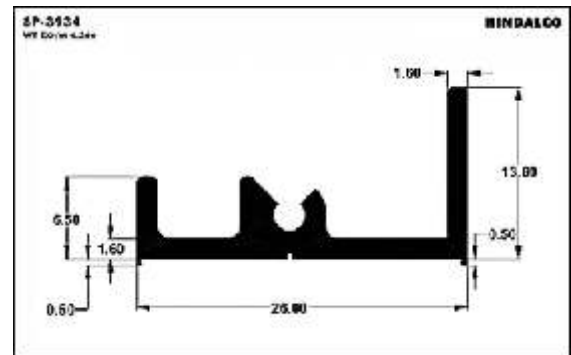
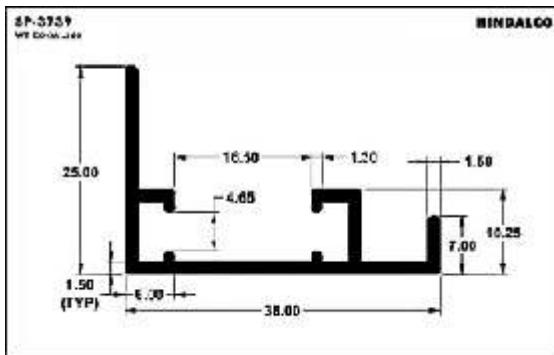
## Sports Goods



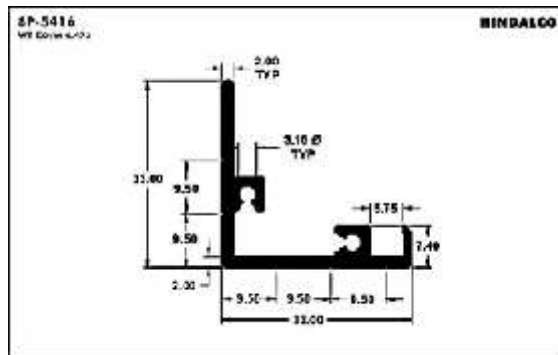
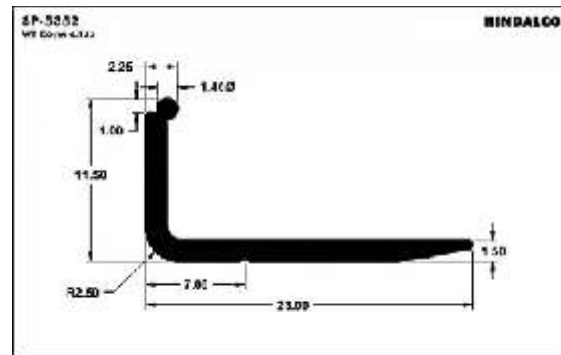
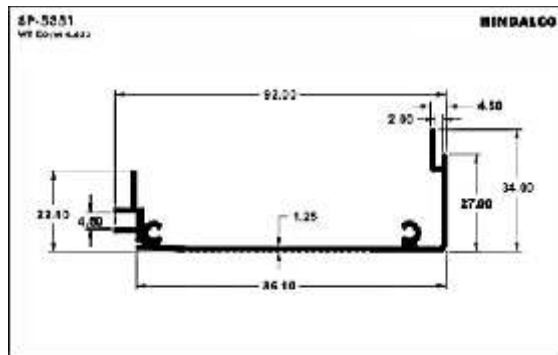
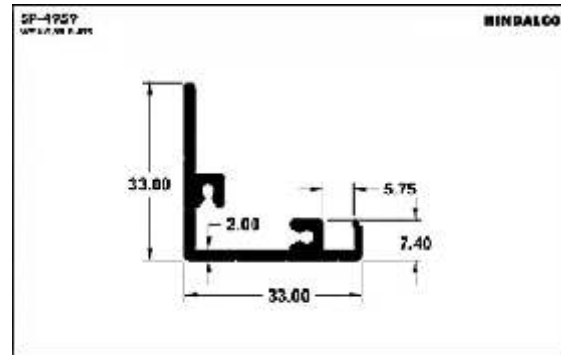
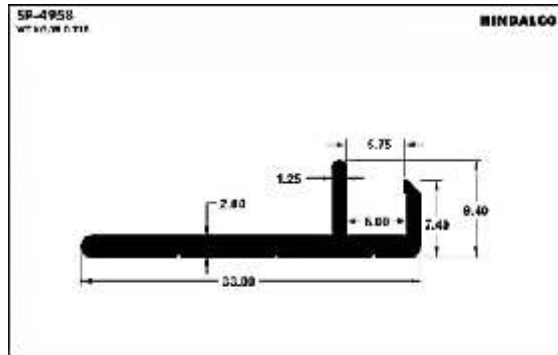
## Refrigerator Part



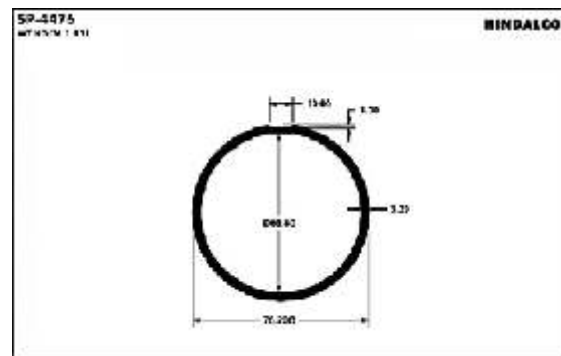
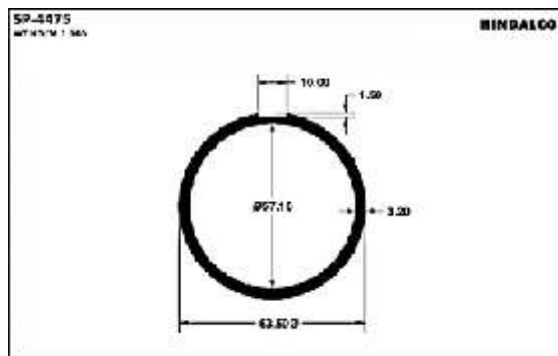
## Solar Panels



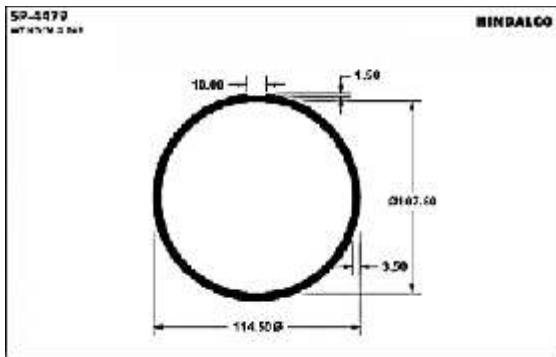
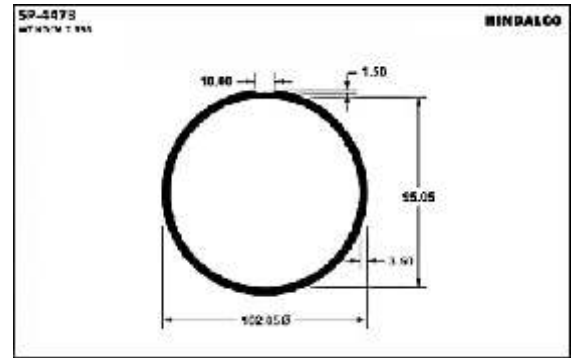
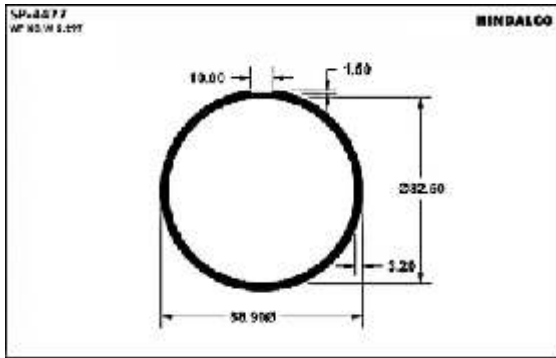
## Solar Channel



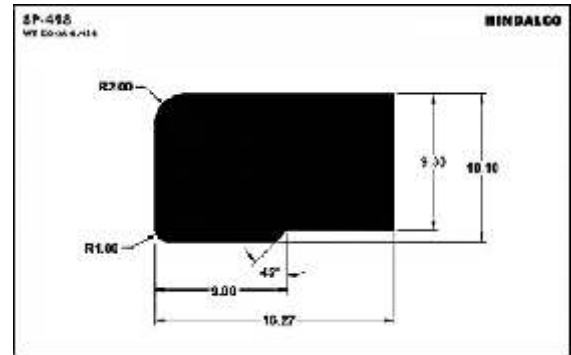
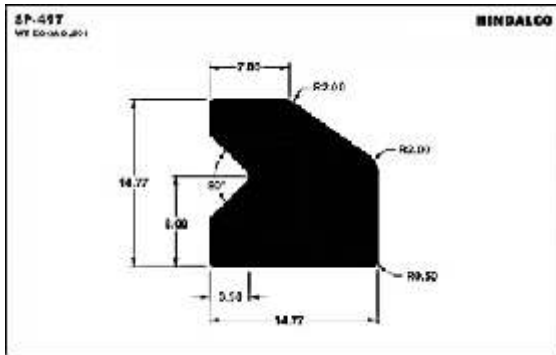
## Telescopic Tubes



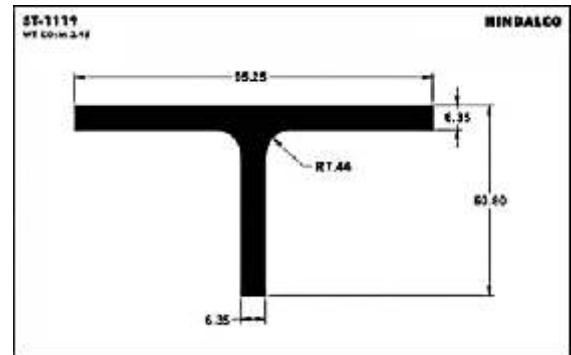
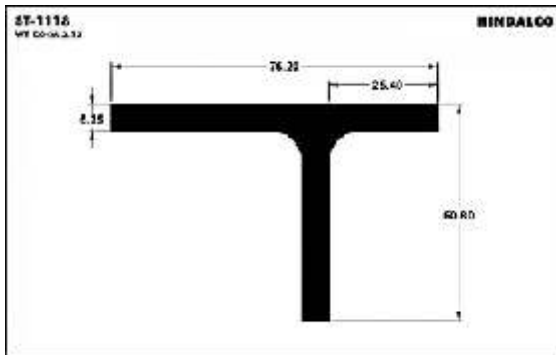
Telescopic Tubes



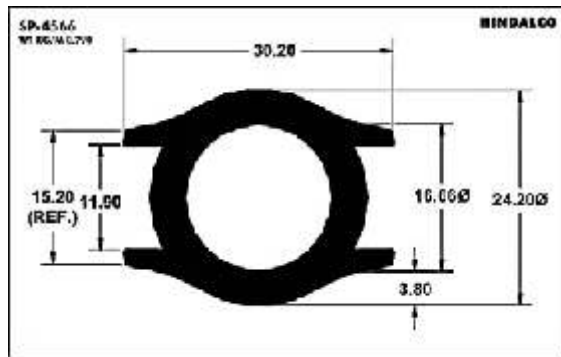
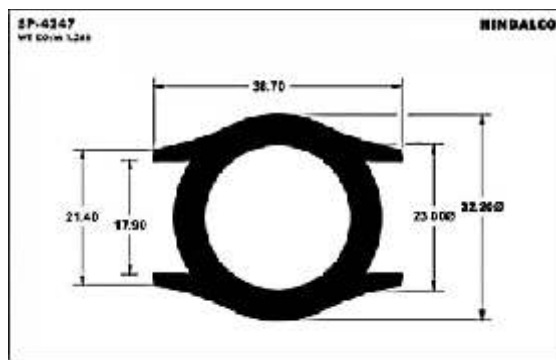
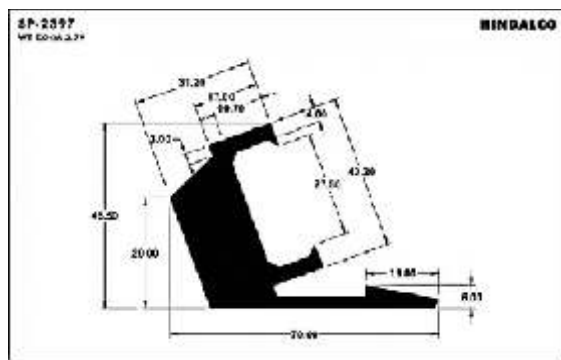
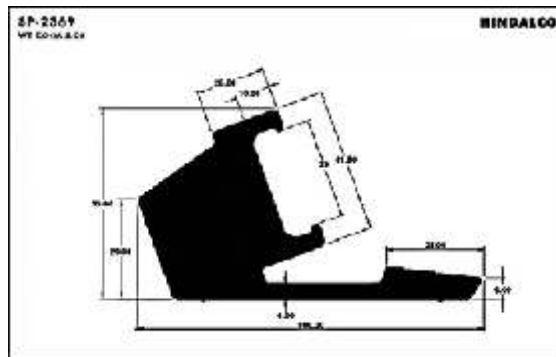
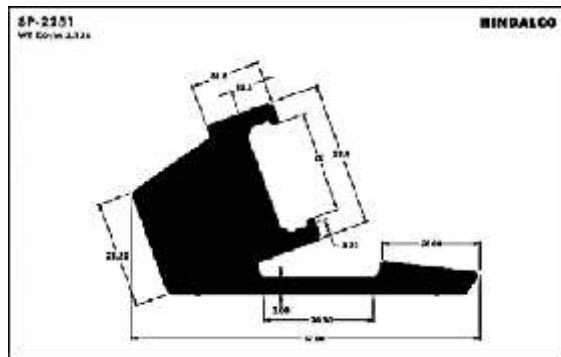
Type writer



Utensils



Watch Case



Tray

